

4001 4" HEAVY DUTY ALL STAINLESS STEEL

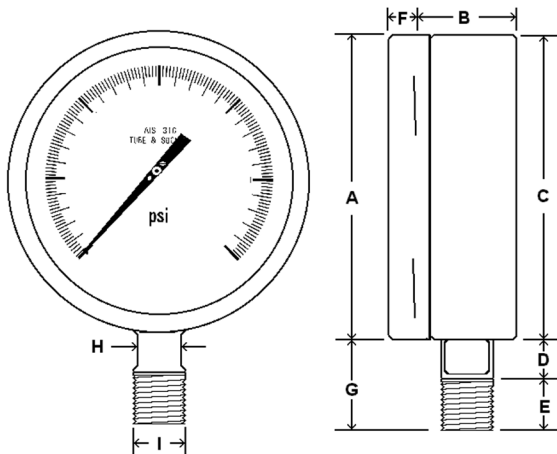
Heavy duty, all stainless steel gauge with removable bezel, adjustable pointer
1% accuracy, welded case-to-stem connection, dry yet fillable

SPECIFICATIONS

Dial	4" (100 mm)
Case	Stainless steel, dry yet fillable Welded case-to-stem connection
Wetted Parts	316 stainless steel
Movement	With overload/underload stops
Bezel	Removable, stainless steel
Lens	Laminated safety glass
Pointer	Adjustable, black aluminum
Connection	Lower mount 1/4" or 1/2" NPT
Scale	Standard: single scale psi
Accuracy	1% of span ASME B40.1 Grade 1A
Ambient Temp	Dry = -30° F to 180° F Glycerine Filled = 30° F to 160° F



Design meets or exceeds ASME B40.100 pressure gauge standard.



AVAILABLE OPTIONS*

- Certificate of Accuracy, NIST traceable
 - Custom Dial
 - Liquid Fill Options, see page 176
 - High Pressure Connection - 9/16" HPM
- See 4001-9/16 page 51
 - Special Connection Size
 - Knife-edge pointer
 - Protective Rubber Cover, see page 121
 - Max/Min Pointer, see page 122
 - 0.5% Accuracy Available
- *Lead times/minimums may apply

APPROXIMATE SHIPPING WEIGHTS/ BOX QUANTITIES

Dial Size	Est. Unit Wt.	Box Qty
4"	1 lb/0.48 kg	15

Dial	Unit	A	B	C	D	E	F	G	H	I (=NPT)
4"	In.	4.02"	1.93"	3.87"	0.70"	0.74"	0.66"	1.38"	0.68"	1/4" or 1/2"
	mm	102	49	99	18	19	17	35	17	

STANDARD DIAL CONFIGURATIONS FOR 4001 SERIES

Dial Range	Figure Intervals	Graduation Intervals	Dial Range	Figure Intervals	Graduation Intervals	Dial Range	Figure Intervals	Graduation Intervals
30/0"hg Vac	3" hg	0.2" hg	0/60 psi	5 psi	0.5 psi	0/2000 psi	200 psi	20 psi
30/0/15 psi	5" hg/3 psi	0.5"hg/.2 psi	0/100 psi	10 psi	1 psi	0/3000 psi	500 psi	20 psi
30/0/30 psi	10" hg/5psi	1" hg/.5 psi	0/160 psi	20 psi	2 psi	0/5000 psi	500 psi	50 psi
30/0/60 psi	10" hg/5psi	1" hg/.5 psi	0/200 psi	20 psi	2 psi	0/6000 psi	500 psi	50 psi
30/0/100 psi	30" hg/10psi	2" hg/1 psi	0/300 psi	30 psi	2 psi	0/10,000 psi	1000 psi	100 psi
30/0/150 psi	30" hg/20psi	5" hg/2 psi	0/400 psi	50 psi	5 psi	0/15,000 psi	3000 psi	100 psi
30/0/300 psi	30" hg/50psi	5" hg/2 psi	0/600 psi	50 psi	5 psi	0/20,000 psi	2000 psi	200 psi
0/15 psi	1 psi	0.1 psi	0/1000 psi	100 psi	10 psi			
0/30 psi	3 psi	0.2 psi	0/1500 psi	200 psi	10 psi			

NOTE: Because of continuing improvements, specifications are subject to change. Stock ranges vary by dial size and configuration. Consult PIC Gauges for availability.