

4501 PROCESS GAUGE LOWER MOUNT

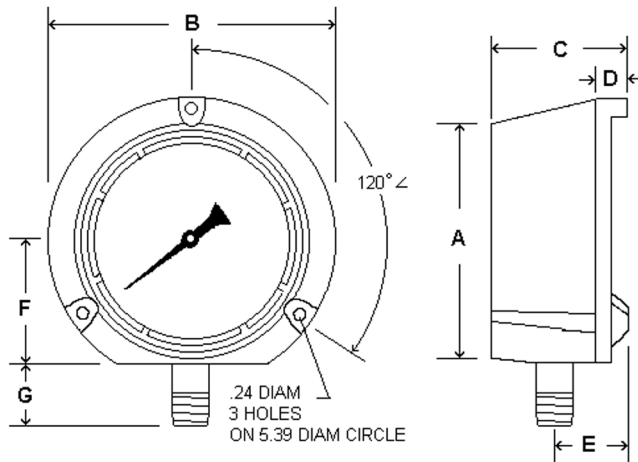
**Solid front/blow-out back safety case, liquid fillable
316 stainless steel internals**

SPECIFICATIONS

Dial	4 1/2" (114 mm)
Case	Phenolic case with solid front/blow out back Dry, field liquid fillable - no kit required
Wetted Parts	316 stainless steel*
Movement	With overload/underload stops
Bezel	Removable, phenolic
Lens	Polycarbonate
Pointer	Micro adjustable, black aluminum
Connection	Lower mount with back flange 1/4" or 1/2" NPT
Scale	Standard: single scale psi
Accuracy	0.5% of span ASME B40.1 Grade 2A
Ambient Temp	Dry = -30° F to 180° F Glycerine Filled = 30° F to 160° F



Design meets or exceeds ASME B40.100 pressure gauge standard.



Dial	Unit	A	B	C	D	E	F	G	NPT
4 1/2"	In.	5.07"	5.91"	3.03"	0.91"	1.38"	2.56"	1.38"	1/4" or 1/2"
	mm	129	150	77	23	35	65	35	

AVAILABLE OPTIONS*

- Certificate of Accuracy, NIST traceable
 - Custom Dial
 - Liquid Fill Options, see page 176
 - Special Connection Size
 - Laminated Safety Glass Lens
 - Cleaned for Oxygen Service (dry only)
 - Knife-edge Pointer
 - Max/Min Pointer, see page 122
 - Monel Internals
 - 9/16" High Pressure Connection
- *Lead times/minimums may apply

APPROXIMATE SHIPPING WEIGHTS/ BOX QUANTITIES

Dial Size	Est. Unit Wt.	Box Qty
4 1/2"	1.95 lbs (0.88 kg)	8

STANDARD DIAL CONFIGURATIONS FOR 4501

Dial Range	Figure Intervals	Graduation Intervals	Dial Range	Figure Intervals	Graduation Intervals	Dial Range	Figure Intervals	Graduation Intervals
30/0"hg Vac	3" hg	0.2" hg	0/30 psi	3 psi	0.2 psi	0/1000 psi	100 psi	10 psi
30/0/15 psi	5" hg/3psi	0.5" hg/0.2 psi	0/60 psi	5 psi	0.5 psi	0/1500 psi	200 psi	10 psi
30/0/30 psi	10" hg/5psi	1" hg/0.5 psi	0/100 psi	10 psi	1 psi	0/2000 psi	200 psi	20 psi
30/0/60 psi	10" hg/5psi	1" hg/0.5 psi	0/160 psi	20 psi	2 psi	0/3000 psi	500 psi	20 psi
30/0/100 psi	30" hg/10psi	2" hg/1 psi	0/200 psi	20 psi	2 psi	0/5000 psi	500 psi	50 psi
30/0/150 psi	30" hg/20psi	5" hg/2 psi	0/300 psi	30 psi	2 psi	0/6000 psi	500 psi	50 psi
30/0/200 psi	30" hg/20 psi	5" hg/2 psi	0/400 psi	50 psi	5 psi	0/10,000 psi	1000 psi	100 psi
30/0/300 psi	30" hg/50psi	5" hg/2 psi	0/600 psi	50 psi	5 psi	0/15,000 psi	3000 psi	100 psi
0/15 psi	1 psi	0.1 psi	0/800 psi	100 psi	10 psi	0/20,000 psi	2000 psi	200 psi

NOTE: Because of continuing improvements, increments and specifications are subject to change. Stock ranges vary.

Marshall Instruments, Inc.

www.marshallinstruments.com