

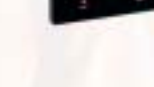
MARSHI[®]

INSTRUMENTS



Product
Catalog

www.marshbellofram.com



1 1
2-5 2-5
6-9 6-9
10-14 10-14
15-23 15-23
24-28 24-28
29-32 29-32
33-35 33-35
36-41 36-41
42-45 42-45
46-47 46-47
48-50 48-50
51-55 51-55
56-58 56-58
59 59
60-71 60-71
72-81 72-81

What's New

FRL's, Thermowells, GG Gauges, 40mm & 50mm Liquid Filled, Digital Meters, Diaphragm Seals

Quick Selector

Marsh Gauge Selection Made easy!

Filters Regulators Lubricators

Miniature (M1) & Standard (M2) FRL's, Filters, Regulators, Filter-Regulators, Lubricators

General Service Gauges

Marshalltown Value Series (10) Steel Case Series "J" (11-14)

Liquid Filled Gauges

40mm & 50mm (15), Severe Service 63mm Stainless Steel Case (16), Severe Service 100mm Stainless Steel Case (18), Elite 100mm Safecase All Stainless Steel (20), "H" Series 100mm (21), 100mm Welded Socket "HW" Series (22), 63mm Brass Case (23)

Precision Service Gauges

Quality (24), Test (26), Inspector's Test (28)

Process Gauges

Dry and Liquid Filled (29)

Diaphragm Gauges

Low Pressure (33), Vacuum Cleaner Test (35), Gas Pressure Test (35)

HVAC/R Gauges

Serviceman Test Gauge (36), Manifold "Reds" & "Blues" (37), Refrigeration Ammonia (38), Refrigeration (39), Contractor's HVAC (40), Heating System (41).

Special Application Gauges

Sprinkler (42), Water Test (43), Paper Machine (44), X-mas Tree Gauges (45)

Parts & Accessories

Diaphragm Seals

Mini, Welded & Removable Diaphragm Seals

Temperature Instruments

Bimetal Thermometers (51), Pocket Thermometers (53), Industrial Thermometers & Wells (54), Tridactors (55).

Thermowells

Pressure Transducers

Handheld Digital Pressure Indicators (59)

Electronic Controls

Digital Panel Mount (61-62), Nema 4 (63), Explosion Proof (64), PID Controllers (70), Loop Calibrator (71)

General Information & Reference

Selection and Use of a Pressure Gauge (72), Pressure Gauge Operating Principle (73), How the Diaphragm Gauge Works (73), Marsh Chemical Compatibility Table (74), Accuracy Table (75), Pressure Units Cross Reference Chart (76), Part Number Prefix Guide (77), Part number Suffix Guide (77), Abbreviations and Terms Used (77), Marshalltown Crossover Guide (77), Terms & Conditions (78), Distributor Return Policy (79), Product Classes and options (79), Product Warnings, Claims, Recommendations and Notices (80), Custom Dials (81)

MARSHALTTOWN
Value Series

pg. 10
Marshalltown
'GG' Value Series

pg. 53
Pocket Thermometers

pg. 56-58
Thermowells

pg. 47
Snubbers

pg. 48-50
Diaphragm
Seals

pg. 15
40mm & 50mm
Liquid Filled Gauges

What's New

pg. 6-9
FRL's

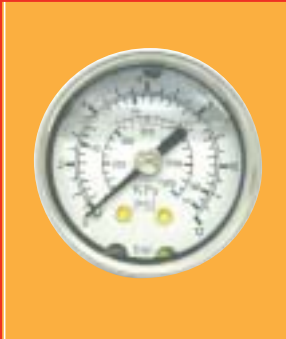
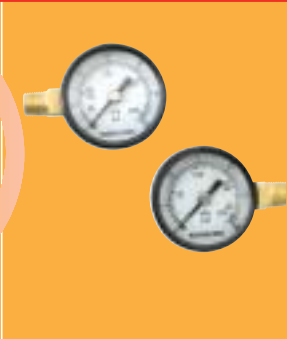
pg. 60-71
Electronic
Controls



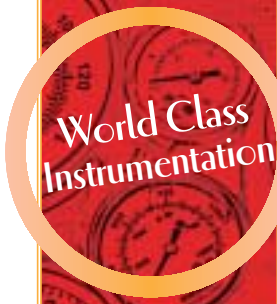
Quick Selector



The 1st choice
for accuracy,
safety &
reliability!



GAUGE SERIES	"GG" VALUE SERIES GAUGES pg. 10	GENERAL SERVICE "J" GAUGE pg. 11	40/50MM LIQUID FILLED pg. 15	SEVERE SERVICE 63MM pg. 16
ACCURACY ASME	Grade B = $\pm 3/2/3$ ($\pm 2\%$ of range across middle half of scale)	Grade B = $\pm 3/2/3$ ($\pm 2\%$ of range across middle half of scale)	$\pm 2.5\%$ of range across full scale	Grade B = $\pm 3/2/3$ ($\pm 2\%$ of range across middle half of scale)
CASE SIZE	1½" & 2" diameter	1½", 2", 2½", 3½", & 4½" diameter	40mm & 50mm diameter	63mm diameter
CASE MATERIAL	Drawn steel, pretreated for rust resistance & black enamel finish	Drawn steel pretreated for rust resistance and black enamel finish	304 Stainless steel	304 Stainless steel
CASE STYLES	Lower Mount, Center Back Mount, Right & Left Mounts	Lower Mount, Center Back, U-Clamp & Front Flange Mounts	Center Back Mount	Rolled ring, hermetically sealed case; Lower Mount, Center Back, U-Clamp & Front Flange Mount
TUBE & SOCKET	Copper Alloy	Copper alloy	Copper alloy tube with nickel plated brass socket	Copper alloy tube & socket or 316 stainless steel tube & socket
MOVEMENT	Brass sector and pinion	Brass sector and pinion	Brass sector and pinion	Brass sector and pinion
CONNECTIONS	½" - ¾" NPT	½" & ¾" NPT	40mm: 1/8" NPT 50mm: 1/4" NPT	¼" NPT
RANGES	15 to 160 psi	0-30" Hg vacuum; compound ranges 30" Hg vacuum to 400 psi; and 15 to 5,000 psi	15 to 160 psi	0-30" Hg vacuum; compound ranges 30" Hg vacuum to 400 psi; and 15-10,000 psi
STANDARD DIAL	Dual Scale psi and kPa	Dual scale psi and kPa	Triple scale psi/BAR/kPa	Dual scale psi and kPa
DIAL COLOR	Black markings on white	Black markings on white	Black markings on white	Black markings on white
POINTER	Aluminum, black painted	Aluminum, black painted	Aluminum, black painted	Aluminum, black painted
WINDOW	Flat plastic window with steel friction ring	1½", 2", 2½", 3½" flat twist in clearlok; 4½" flat glass window w/friction ring	Acrylic	Polycarbonate
FILL MEDIUM	N/A	N/A	Glycerine	Dry, glycerin, or silicone
VENT	N/A	N/A	Filler/Pressure relief plug	Rubber plug with snip-off feature



GAUGE SERIES	SEVERE SERVICE 100MM "X" SERIES pg. 18	ELITE 100MM "W" GAUGES pg. 20	LIQUID FILLED 100MM H SERIES pg. 21	WELDED SOCKET 100MM HW SERIES pg. 22
ACCURACY ASME	Grade 1A = $\pm 2/1/2$ ($\pm 1\%$ of range across middle half of scale)	Grade 1A = $\pm 1\%$ full scale	Grade 1A = $\pm 1\%$ full scale	Grade 1A = $\pm 1\%$ full scale
CASE SIZE	100mm diameter	100mm diameter	100mm diameter	100mm diameter
CASE MATERIAL	304 Stainless steel	304 Stainless steel	304 Stainless steel	304 Stainless steel
CASE STYLES	Rolled ring, hermetically sealed case; Lower mount, Center Back, U-Clamp & Front Flange Mount	Safecase with blow-out back construction; Lower Mount	Lower Mount, Panel Mount with U-Clamp and three hole Front Flange Mount	Lower Mount
TUBE & SOCKET	Copper alloy tube & socket or 316 stainless steel tube & socket	316 Stainless steel	316 Stainless steel	316 Stainless steel tube with socket welded to the case
MOVEMENT	Brass sector and pinion	Stainless steel rotary movement	Stainless steel	Stainless steel
CONNECTIONS	1/4" NPT	1/2" NPT	1/4" NPT	1/2" NPT
RANGES	0-30" Hg vacuum; compound ranges 30" Hg vacuum to 300 psi; 15-10,000 psi	0-30" Hg vacuum 30-10,000 psi	30-10,000 psi	15-20,000 psi
STANDARD DIAL	Dual scale psi and kPa	Dual scale psi and kPa	Dual scale psi and kPa	Dual scale psi and kPa
DIAL COLOR	Black markings on white	Black markings on white	Black markings on white	Black markings on white
POINTER	Aluminum, black painted	Aluminum, black painted	Aluminum, black painted	Aluminum, black painted
WINDOW	Polycarbonate	Safety glass	Acrylic	Safety glass
FILL MEDIUM	Dry, glycerin, or silicone	Dry, glycerin or silicone	Dry, glycerin, or silicone	Dry, glycerin, or silicone
VENT	Rubber plug with snip-off feature	Internal compensating diaphragm	Rubber plug with snip-off feature	Rubber plug with snip-off feature

Quick Selector



The world's
broadest line
of liquid
filled gauges!



GAUGE SERIES	QUALITY GAUGE "H" SERIES pg. 24	TEST GAUGE "D" SERIES pg. 26	INSPECTOR TEST GAUGE pg. 28	PROCESS GAUGE "P" SERIES pg. 29
ACCURACY ASME	Grade A = ±2 1/2 (±1% of range across middle half of scale)	Grade 3A = ±0.25% full scale	Grade 2A = ±0.50% full scale	Grade 2A = ±0.50% full scale
CASE SIZE	3 1/2" & 4 1/2" diameter	4 1/2" diameter	3" diameter	4 1/2" & 6" diameter
CASE MATERIAL	Black painted steel	Black painted steel	Nickel plated brass	Safecase polypropylene (turret style only) & aluminum
CASE STYLES	Lower Mount, Flush case (Front Flange w/U-Clamp), Back Flange with Lower or Lower Back Mounts	Lower Mount, Flush Mount (Front Flange w/U-clamp & hinged ring)	Lower Mount	Turret, Back Flange case, Front Flange Mount, Lower or Lower Back Mount
TUBE & SOCKET	Copper alloy socket and tube up to 1,000 psi. Stainless steel tube, tip & socket above 1,000 psi	Copper alloy tube & socket or 316 stainless steel tube & socket	Copper alloy tube and socket	Copper alloy or 316 stainless steel
MOVEMENT	Stainless steel	Stainless steel	Brass	Stainless steel
CONNECTIONS	1/4" or 1/2" NPT	1/4" or 1/2" NPT	1/4" NPT	1/4" or 1/2" NPT
RANGES	0-30" Hg vacuum; compound ranges 30" Hg vacuum to 300 psi; 15-20,000 psi	0 to 30" Hg vacuum; compound ranges 30" Hg vacuum to 300 psi; 15-10,000 psi	0 to 30" Hg vacuum; 15 to 1,000 psi	0 to 30" Hg vacuum; compound 30" Hg vacuum to 300 psi; 15 to 20,000 psi
STANDARD DIAL	Single scale psi only	Single scale psi only	Dual scale psi and kPa	Single scale psi
DIAL COLOR	Black markings on white	Black markings on white with mirrored dial to avoid parallax	Black markings on white	Black markings on white
POINTER	3 1/2" Recalibrator 4 1/2" Adjustable micrometer	Knife-edge micrometer-adjustable, Aluminum, black painted	Aluminum, black painted, knife edge	Adjustable micrometer, black painted
WINDOW	Glass	Glass	Beveled glass	Acrylic
FILL MEDIUM	N/A	N/A	N/A	Dry, glycerin, or silicone
VENT	N/A	Blowout disc	N/A	Internal compensating diaphragm



Superior Quality, ideal for Medical applications!



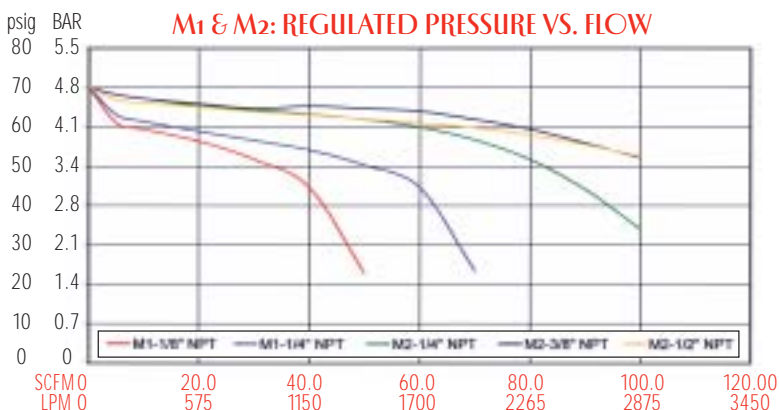
GAUGE SERIES	DIAPHRAGM GAUGE "G" SERIES pg. 33	SPRINKLER GAUGE pg. 42	PAPER MACHINE GAUGE pg. 44	BI-METAL THERMOMETERS pg. 51
ACCURACY ASME	Grade A = $\pm 2/1/2$ ($\pm 1\%$ of range across middle half of scale) and Grade B = $\pm 3/1/3$ ($\pm 2\%$ of range for ranges below 30" H ₂ O)	Grade B = $\pm 3/2/3$ ($\pm 2\%$ of range across middle half of scale)	Grade A = $\pm 2/1/2$ ($\pm 1\%$ of range across middle half of scale)	$\pm 1\%$ of span
CASE SIZE	2½", 3½", & 4½" diameter	3½" diameter	3½" diameter	2", 3" & 5" standard stem lengths of 2½" to 24"
CASE MATERIAL	Drawn steel pretreated for rust resistance & black enamel finish	Polished brass	Chrome plated steel case	Stainless steel
CASE STYLES	Lower Mount, Center Back, U-Clamp & Front Flange Mount	Lower Mount	Lower Back Mount; Hinged ring case & moisture-proof with weep hole	Hermetically sealed; Center Back or Adjustable
TUBE & SOCKET	Phosphor bronze diaphragm soft-soldered to brass socket	Copper alloy	Copper Alloy	Stainless steel stems
MOVEMENT	Brass sector and pinion	Copper alloy	Stainless steel	Bi-metal sensing element with external reset feature
CONNECTIONS	½" & ¼" NPT and special connections	¼" NPT	¼" NPT	¼" NPT (2" case only); ½" NPT (3" & 5" cases)
RANGES	Dual scale with kPa; 0 to 200" H ₂ O vacuum; 0 to 300" H ₂ O, 0 to 10 psi, 0 to 160 oz/in ² . Triple scale 0-58 oz/in ² , inches H ₂ O & kPa	0 to 300 psi; or 0 to 80 psi retard to 250 psi	30 to 1,000 psi	11 dual scale ranges from -120° F through 1000°F (-50° C through 550° C)
STANDARD DIAL	Dual scale in. H ₂ O & kPa, psi & kPa, or Triple scale oz/in ² in. H ₂ O, & kPa	Dual scale psi and kPa, all dials are marked AIR/WATER	Single Scale psi	Standard dual scale in degrees, Celsius & Fahrenheit
DIAL COLOR	Black markings on white	Black markings on white	Black markings on white	Black markings on white
POINTER	Aluminum, black painted	Aluminum, black painted	Aluminum, black painted w/recalibrator	Aluminum, black painted
WINDOW	2½" & 3½": Twist-on clearlok acrylic window 4½": Flat acrylic window with friction ring	One piece impact plastic screw-on lens	Glass lens, chrome plated brass ring with weather-tight seal	Glass
FILL MEDIUM	N/A	N/A	N/A	N/A
VENT	N/A	N/A	N/A	N/A



M1 FRL	TYPE M1	TYPE M2																								
M1 & M2 FEATURES	FILTERS																									
<ul style="list-style-type: none"> • Modular design for service & interchangeability • Miniature (M1) & Standard (M2) • Small package size and light weight construction • Competitively priced 	<table border="1"> <tr> <td>Port Size</td> <td>1/8", 1/4" NPT</td> <td>1/4", 3/8", 1/2" NPT</td> </tr> <tr> <td>Filtration (micron)</td> <td>5µ, 25µ, 50µ</td> <td>5µ, 25µ, 50µ</td> </tr> <tr> <td>Maximum Supply Pressure</td> <td>1.1 MPa 11.4 BAR 165 psi</td> <td>1.1 MPa 11.4 BAR 165 psi</td> </tr> <tr> <td>Temperature Range</td> <td>41°-140° F / 5°-60° C</td> <td>41°-140° F / 5°-60° C</td> </tr> <tr> <td>Drain</td> <td>Manual / Semi-Auto</td> <td>Manual / Semi-Auto / Auto</td> </tr> <tr> <td>Bowl Capacity</td> <td>0.75 inch³</td> <td>2.75 inch³</td> </tr> <tr> <td>Flow (based on 100 psi inlet pressure with 50 micron filter)</td> <td>55, 85 SCFM</td> <td>120, 120, 120 SCFM</td> </tr> </table>		Port Size	1/8", 1/4" NPT	1/4", 3/8", 1/2" NPT	Filtration (micron)	5µ, 25µ, 50µ	5µ, 25µ, 50µ	Maximum Supply Pressure	1.1 MPa 11.4 BAR 165 psi	1.1 MPa 11.4 BAR 165 psi	Temperature Range	41°-140° F / 5°-60° C	41°-140° F / 5°-60° C	Drain	Manual / Semi-Auto	Manual / Semi-Auto / Auto	Bowl Capacity	0.75 inch ³	2.75 inch ³	Flow (based on 100 psi inlet pressure with 50 micron filter)	55, 85 SCFM	120, 120, 120 SCFM			
Port Size	1/8", 1/4" NPT	1/4", 3/8", 1/2" NPT																								
Filtration (micron)	5µ, 25µ, 50µ	5µ, 25µ, 50µ																								
Maximum Supply Pressure	1.1 MPa 11.4 BAR 165 psi	1.1 MPa 11.4 BAR 165 psi																								
Temperature Range	41°-140° F / 5°-60° C	41°-140° F / 5°-60° C																								
Drain	Manual / Semi-Auto	Manual / Semi-Auto / Auto																								
Bowl Capacity	0.75 inch ³	2.75 inch ³																								
Flow (based on 100 psi inlet pressure with 50 micron filter)	55, 85 SCFM	120, 120, 120 SCFM																								
FILTERS	REGULATORS																									
<ul style="list-style-type: none"> • M1 has polycarbonate bowl, M2 has polycarbonate bowl with metal guard • Stock Elements - 5, 25 or 50 micron • Manual, semi-auto or auto drain available 	<table border="1"> <tr> <td>Effect of Supply Pressure variation (25 psig) on Outlet Pressure</td> <td>< 0.2 psig (13.8 mBAR)</td> <td>< 0.2 psig (13.8 mBAR)</td> </tr> <tr> <td>Exhaust Capacity (5 psig above 20 psig set point)</td> <td>< 0.25 SCFM (< 7 LPM)</td> <td>< 0.25 SCFM (< 7 LPM)</td> </tr> <tr> <td>Max. Supply Pressure</td> <td>165 psig (11.4 BAR)</td> <td>165 psig (11.4 BAR)</td> </tr> <tr> <td>Flow Capacity at 100 psig (6.9 BAR) supply and 70 psig (4.8 BAR) outlet</td> <td>40, 60 SCFM</td> <td>90, 120, 120 SCFM</td> </tr> <tr> <td>Output Pressure Ranges</td> <td>0-10 psig (0-0.69 BAR) 0-30 psig (0-2.1 BAR) 0-60 psig (0-4.1 BAR) 0-120 psig (0-8.3 BAR)</td> <td>0-10 psig (0-0.69 BAR) 0-30 psig (0-2.1 BAR) 0-60 psig (0-4.1 BAR) 0-120 psig (0-8.3 BAR)</td> </tr> <tr> <td>Total Air Consumption @ Maximum Output</td> <td>0.3 SCFH (0.14 LPM)</td> <td>0.3 SCFH (0.14 LPM)</td> </tr> <tr> <td>Port Size</td> <td>1/8", 1/4" NPT</td> <td>1/4", 3/8", 1/2" NPT</td> </tr> <tr> <td>Mounting Options</td> <td>Pipe, Panel or Bracket</td> <td>Pipe, Panel or Bracket</td> </tr> </table>		Effect of Supply Pressure variation (25 psig) on Outlet Pressure	< 0.2 psig (13.8 mBAR)	< 0.2 psig (13.8 mBAR)	Exhaust Capacity (5 psig above 20 psig set point)	< 0.25 SCFM (< 7 LPM)	< 0.25 SCFM (< 7 LPM)	Max. Supply Pressure	165 psig (11.4 BAR)	165 psig (11.4 BAR)	Flow Capacity at 100 psig (6.9 BAR) supply and 70 psig (4.8 BAR) outlet	40, 60 SCFM	90, 120, 120 SCFM	Output Pressure Ranges	0-10 psig (0-0.69 BAR) 0-30 psig (0-2.1 BAR) 0-60 psig (0-4.1 BAR) 0-120 psig (0-8.3 BAR)	0-10 psig (0-0.69 BAR) 0-30 psig (0-2.1 BAR) 0-60 psig (0-4.1 BAR) 0-120 psig (0-8.3 BAR)	Total Air Consumption @ Maximum Output	0.3 SCFH (0.14 LPM)	0.3 SCFH (0.14 LPM)	Port Size	1/8", 1/4" NPT	1/4", 3/8", 1/2" NPT	Mounting Options	Pipe, Panel or Bracket	Pipe, Panel or Bracket
Effect of Supply Pressure variation (25 psig) on Outlet Pressure	< 0.2 psig (13.8 mBAR)	< 0.2 psig (13.8 mBAR)																								
Exhaust Capacity (5 psig above 20 psig set point)	< 0.25 SCFM (< 7 LPM)	< 0.25 SCFM (< 7 LPM)																								
Max. Supply Pressure	165 psig (11.4 BAR)	165 psig (11.4 BAR)																								
Flow Capacity at 100 psig (6.9 BAR) supply and 70 psig (4.8 BAR) outlet	40, 60 SCFM	90, 120, 120 SCFM																								
Output Pressure Ranges	0-10 psig (0-0.69 BAR) 0-30 psig (0-2.1 BAR) 0-60 psig (0-4.1 BAR) 0-120 psig (0-8.3 BAR)	0-10 psig (0-0.69 BAR) 0-30 psig (0-2.1 BAR) 0-60 psig (0-4.1 BAR) 0-120 psig (0-8.3 BAR)																								
Total Air Consumption @ Maximum Output	0.3 SCFH (0.14 LPM)	0.3 SCFH (0.14 LPM)																								
Port Size	1/8", 1/4" NPT	1/4", 3/8", 1/2" NPT																								
Mounting Options	Pipe, Panel or Bracket	Pipe, Panel or Bracket																								
REGULATORS	FILTER-REGULATORS																									
<ul style="list-style-type: none"> • Bellofram® Rolling Diaphragm for superior regulator performance • Panel, pipe, or bracket (included) mounting • Metal body, polycarbonate bonnet and knob • Non-rising adjustment knob with push-pull lock ring feature 	<table border="1"> <tr> <td>Port Size</td> <td>1/8", 1/4" NPT</td> <td>1/4", 3/8", 1/2" NPT</td> </tr> <tr> <td>Filtration (micron)</td> <td>5µ, 25µ, 50µ</td> <td>5µ, 25µ, 50µ</td> </tr> <tr> <td>Maximum Supply Pressure</td> <td>1.1 MPa 11.4 BAR 165 psi</td> <td>1.1 MPa 11.4 BAR 165 psi</td> </tr> <tr> <td>Temperature Range</td> <td>41°-140° F / 5°-60° C</td> <td>41°-140° F / 5°-60° C</td> </tr> <tr> <td>Drain</td> <td>Manual / Semi-Auto</td> <td>Manual / Semi-Auto / Auto</td> </tr> <tr> <td>Bowl Capacity</td> <td>0.75 inch³</td> <td>2.75 inch³</td> </tr> <tr> <td>Regulator Output Range</td> <td>0-10, 0-30, 0-60, 0-120 psi</td> <td>0-10, 0-30, 0-60, 0-120 psi</td> </tr> <tr> <td>Flow (based on 100 psi supply/70 psi out)</td> <td>40, 60 SCFM</td> <td>90, 120, 120 SCFM</td> </tr> </table>		Port Size	1/8", 1/4" NPT	1/4", 3/8", 1/2" NPT	Filtration (micron)	5µ, 25µ, 50µ	5µ, 25µ, 50µ	Maximum Supply Pressure	1.1 MPa 11.4 BAR 165 psi	1.1 MPa 11.4 BAR 165 psi	Temperature Range	41°-140° F / 5°-60° C	41°-140° F / 5°-60° C	Drain	Manual / Semi-Auto	Manual / Semi-Auto / Auto	Bowl Capacity	0.75 inch ³	2.75 inch ³	Regulator Output Range	0-10, 0-30, 0-60, 0-120 psi	0-10, 0-30, 0-60, 0-120 psi	Flow (based on 100 psi supply/70 psi out)	40, 60 SCFM	90, 120, 120 SCFM
Port Size	1/8", 1/4" NPT	1/4", 3/8", 1/2" NPT																								
Filtration (micron)	5µ, 25µ, 50µ	5µ, 25µ, 50µ																								
Maximum Supply Pressure	1.1 MPa 11.4 BAR 165 psi	1.1 MPa 11.4 BAR 165 psi																								
Temperature Range	41°-140° F / 5°-60° C	41°-140° F / 5°-60° C																								
Drain	Manual / Semi-Auto	Manual / Semi-Auto / Auto																								
Bowl Capacity	0.75 inch ³	2.75 inch ³																								
Regulator Output Range	0-10, 0-30, 0-60, 0-120 psi	0-10, 0-30, 0-60, 0-120 psi																								
Flow (based on 100 psi supply/70 psi out)	40, 60 SCFM	90, 120, 120 SCFM																								
FILTER REGULATORS	LUBRICATORS																									
<ul style="list-style-type: none"> • Aluminum and polycarbonate construction • Manual, semi-auto or autodrain available • M1 has polycarbonate bowl; M2 has polycarbonate bowl with metal guard • Non-rising adjustment knob with push-pull lock ring feature • For panel or bracket mounting, knob is easily removed by unscrewing retaining flange • Bellofram® Rolling Diaphragm for superior regulator performance 	<table border="1"> <tr> <td>Port Size</td> <td>1/8", 1/4" NPT</td> <td>1/4", 3/8", 1/2" NPT</td> </tr> <tr> <td>Lubrication</td> <td>Mist</td> <td>Mist</td> </tr> <tr> <td>Maximum Supply Pressure</td> <td>1.1 MPa 11.4 BAR 165 psi</td> <td>1.1 MPa 11.4 BAR 165 psi</td> </tr> <tr> <td>Temperature Range</td> <td>41°-140° F / 5°-60° C</td> <td>41°-140° F / 5°-60° C</td> </tr> <tr> <td>Bowl Capacity</td> <td>1.22 inch³</td> <td>5.18 inch³</td> </tr> <tr> <td>Flow (based on 100 psi inlet pressure)</td> <td>55, 115 SCFM</td> <td>125, 125, 125 SCFM</td> </tr> </table>		Port Size	1/8", 1/4" NPT	1/4", 3/8", 1/2" NPT	Lubrication	Mist	Mist	Maximum Supply Pressure	1.1 MPa 11.4 BAR 165 psi	1.1 MPa 11.4 BAR 165 psi	Temperature Range	41°-140° F / 5°-60° C	41°-140° F / 5°-60° C	Bowl Capacity	1.22 inch ³	5.18 inch ³	Flow (based on 100 psi inlet pressure)	55, 115 SCFM	125, 125, 125 SCFM						
Port Size	1/8", 1/4" NPT	1/4", 3/8", 1/2" NPT																								
Lubrication	Mist	Mist																								
Maximum Supply Pressure	1.1 MPa 11.4 BAR 165 psi	1.1 MPa 11.4 BAR 165 psi																								
Temperature Range	41°-140° F / 5°-60° C	41°-140° F / 5°-60° C																								
Bowl Capacity	1.22 inch ³	5.18 inch ³																								
Flow (based on 100 psi inlet pressure)	55, 115 SCFM	125, 125, 125 SCFM																								
LUBRICATORS See details on page 7.																										

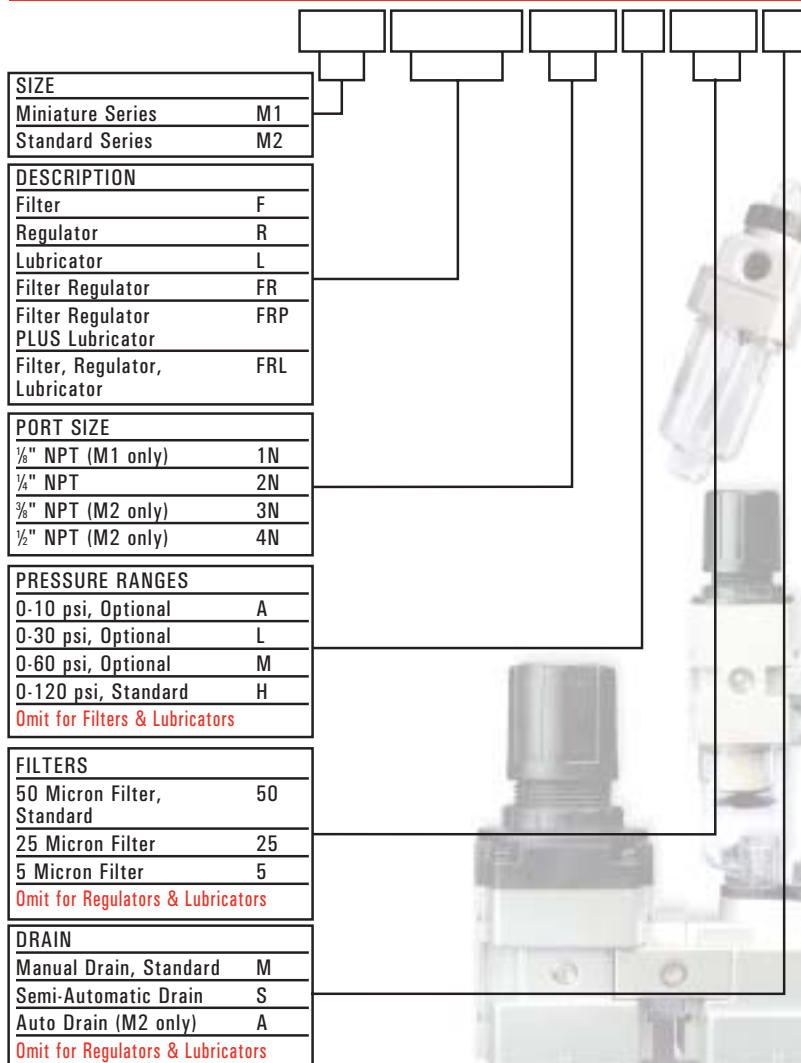


M1 & M2: REGULATED PRESSURE VS. FLOW



TYPE M1 & M2 ORDERING INFORMATION

M2 FRL



LUBRICATORS

- M1 has polycarbonate bowl; remove bowl for filling.
- M2 has polycarbonate bowl with metal guard; top plug permits filling without removing bowl or shutting off air
- Adjust drip rate by hand, using graduated ring on M1, with screwdriver on M2



NOTE: Individual regulators, FRs, filters, and lubricators come complete with bracket.

- FRL assemblies come complete with all bracket/connectors.
- For 3/4" & 1" Port sizes, We have a larger M3 series available, please consult the factory.



REPLACEMENT PARTS

DESCRIPTION **MODEL #**



Miniature Size Connector Kit M1K



Miniature Size Connector Kit FR+L M1K2



Standard Size Connector Kit M2K

Standard Size Connector Kit FR+L M2K2



Miniature Size Filter or Lubricator Bracket M1FB

Standard Size Filter or Lubricator Bracket M2FB



Miniature Size Regulator or Filter Regulator Bracket M1RB



Standard Size Regulator or Filter Regulator Bracket M2RB

DESCRIPTION **MODEL #**



Miniature 5 micron Filter Element M1FK05

Miniature 25 micron Filter Element M1FK25

Miniature 50 micron Filter Element M1FK50



Standard 5 micron Filter Element M2FK05

Standard 25 micron Filter Element M2FK25

Standard 50 micron Filter Element M2FK50



Miniature Bowl / Manual Drain Assembly M1DM

Miniature Bowl / Semi-Automatic Drain Assembly M1DSA



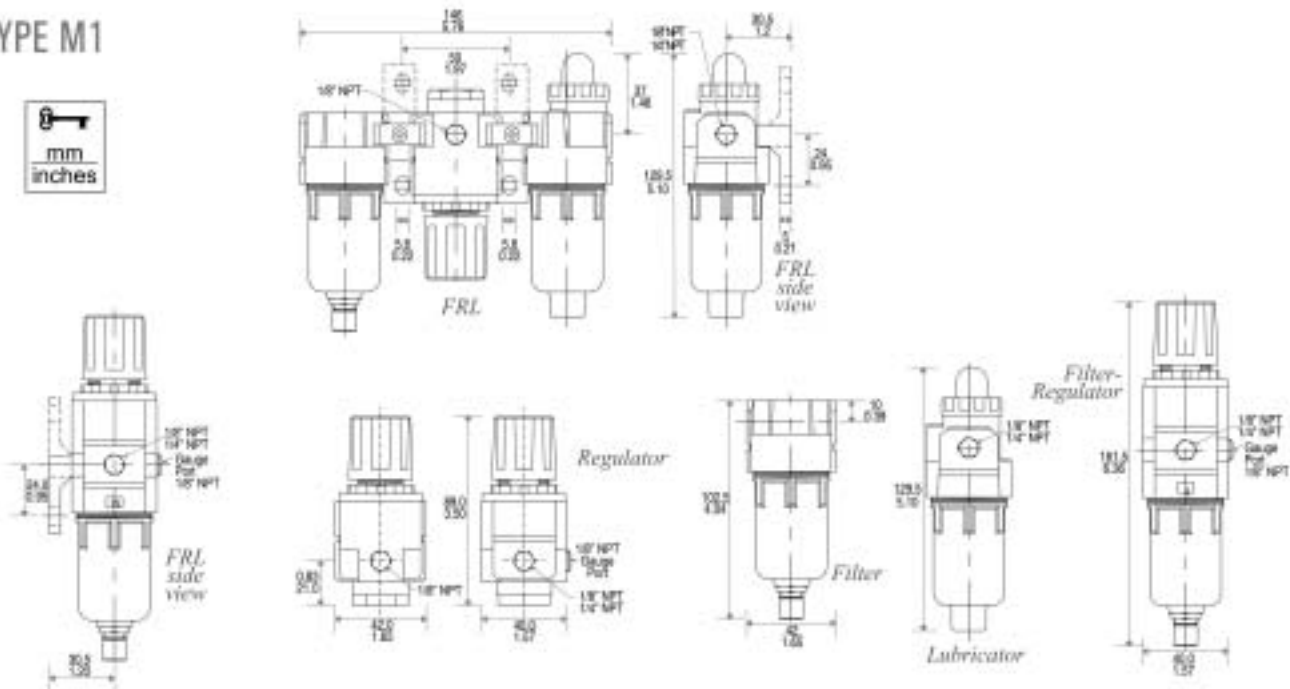
Standard Bowl / Manual Drain Assembly M2DM

Standard Bowl / Semi-Automatic Drain Assembly M2DSA

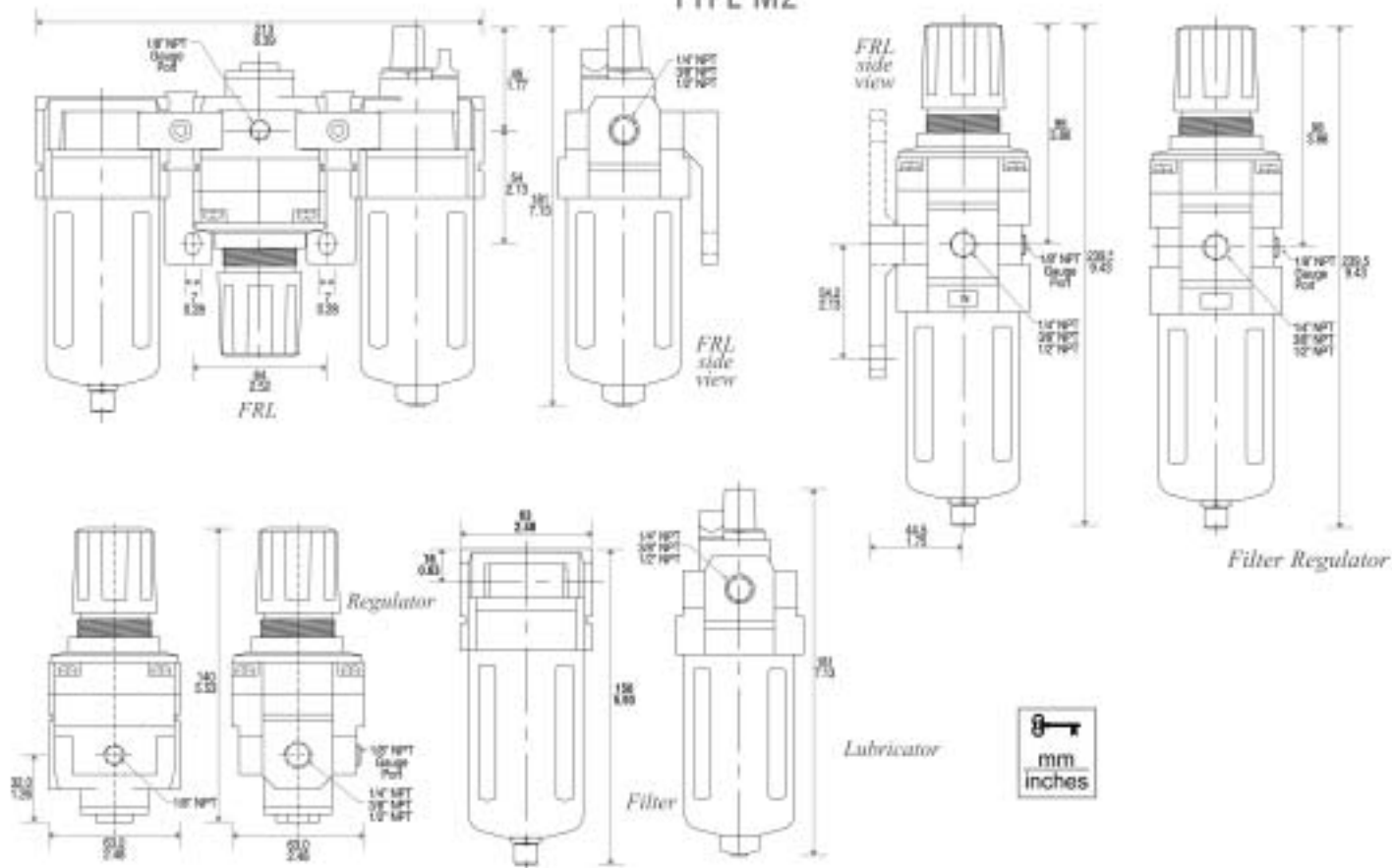
Standard Bowl / Automatic Drain Assembly M2DA

PRESSURE GAUGES - "GG" Series Gauges pg. 10

TYPE M1



TYPE M2



General Service Gauges



MARSHALLOTOWN Value Series

- ASME Grade B Accuracy
- Extra Savings with Quantity Pricing
- 4 Standard Mounting Options: LM, CB, Right & Left

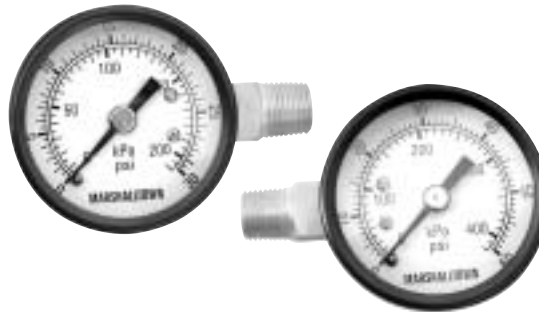


Marshalltown Value Series are the most economical, general purpose gauge in the Marsh gauge line. Suited for use with water, oil, air, gas, or other non-corrosive media. Typical applications include FRL's, compressors, pumps, boilers, regulators, dryers as well as commercial and industrial equipment.

STANDARD RANGES & PART NUMBERS

VALUE SERIES
SPECIFICATIONS
ACCURACY ASME Grade B = $\pm 3/2/3\%$ ($\pm 2\%$ of range across middle half of scale)
CASE MATERIAL Drawn steel, pretreated for rust resistance and black enamel finish
CASE STYLE LM – Lower Mount CB – Center Back Mount Right Mount Left Mount
TUBE & SOCKET Copper alloy tube soft soldered to brass socket
MOVEMENT Brass sector and pinion
RANGES 15 to 160 psi
DIAL STANDARD Dual scale psi and kPa
DIAL COLOR Black markings on white
POINTER Aluminum, Black painted
WINDOW Flat plastic window with steel friction ring

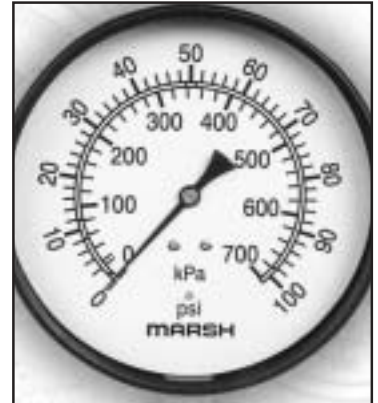
MARSHALLOTOWN VALUE SERIES								
Size	1 1/2"				2"			
Mounting	LM	CB	Right	Left	LM	CB	LM	CB
Connection	1/8"	1/8"	1/8"	1/8"	1/4"	1/4"	1/8"	1/8"
0 to 15 psi		GG1515C8						
0 to 30 psi	GG1530L8	GG1530C8	GG1530G8	GG1530F8	GG2030L4	GG2030C4	GG2030L8	GG2030C8
0 to 60 psi	GG1560L8	GG1560C8	GG1560G8	GG1560F8	GG2060L4	GG2060C4		
0 to 100 psi	GG15100L8	GG15100C8			GG20100L4	GG20100C4	GG20100L8	GG20100C8
0 to 160 psi	GG15160L8	GG15160C8			GG20160L4	GG20160C4	GG20160L8	GG20160C8
0 to 200 psi		GG15200C8				GG20200C4		GG20200C8



General Service Gauges

- Dial Sizes: 1½", 2", 2½", 3½" & 4½"
- Superb Quality, Economical Price
- Pressure Ranges to 5000 psi

Marsh Instruments GENERAL SERVICE STEEL CASE GAUGES are an economical, general purpose gauge for pressure measurement from vacuum/compound through 5,000 psi. Suited for use with water, oil, air, gas, or other non-corrosive media. Typical applications include FRLs, compressors, pumps, boilers, regulators, dryers as well as commercial and industrial equipment.



STANDARD RANGES & PART NUMBERS

TYPE				GENERAL SERVICE (SERIES "J") STEEL CASE GAUGE				SERIES "J" STEEL CASE				
Internals		Copper Alloy										
Case Material		Steel										
Dual Scale Standard		psi/kPa										
Size		1½"		2"								
Mounting / Case Style		LM	UC	CB	LM	LM	CB	CB				
Connection (NPT)		½"	½"	½"	½"	¼"	½"	¼"				
0 to 30" Hg VAC		J0405	J0505	J0605	J1105	J1405	J1805	J2005				
30" Hg VAC to 15psi												
30" Hg VAC to 30psi						J1412						
30" Hg VAC to 60psi						J1414						
30" Hg VAC to 100psi												
30" Hg VAC to 150psi		J0418	J0518	J0618	J1118	J1418	J1818	J2018				
30" Hg VAC to 200psi		J0420	J0520	J0620	J1120	J1420	J1820	J2020				
30" Hg VAC to 300psi		J0424	J0524	J0624	J1124	J1424	J1824	J2024				
30" Hg VAC to 400psi					J1126	J1426	J1826	J2026				
0 to 15psi		J0440	J0540	J0640	J1140	J1440	J1840	J2040				
0 to 30psi		J0442	J0542	J0642	J1142	J1442	J1842	J2042				
0 to 60psi		J0446	J0546	J0646	J1146	J1446	J1846	J2046				
0 to 100psi		J0448	J0548	J0648	J1148	J1448	J1848	J2048				
0 to 160psi		J0452	J0552	J0652	J1152	J1452	J1852	J2052				
0 to 200psi		J0454	J0554	J0654	J1154	J1454	J1854	J2054				
0 to 300psi		J0458	J0558	J0658	J1158	J1458	J1858	J2058				
0 to 400psi					J1160	J1460	J1860	J2060				
0 to 600psi						J1464	J1864					
0 to 1,000psi												
0 to 1,500psi												
0 to 2,000psi												
0 to 3,000psi						J1478	J1878	J2078				
0 to 5,000psi						J1482						

NOTE: Items are available on special order. However, minimums and lead times apply. Consult factory.

SPECIFICATIONS

ACCURACY
ASME Grade B - ±3/2/3% (±2% of range across middle half of scale)

CASE SIZES
1½", 2", 2½", 3½", 4½" diameter

CASE MATERIAL
Drawn steel, pretreated for rust resistance and black enamel finish

CASE STYLE
LM - Lower Mount
UC - U-Clamp Mount
CB - Center Back Mount
See option tables for Front Flange

TUBE & SOCKET
Copper alloy tube & socket

MOVEMENT
Brass sector and pinion

CONNECTION
½" & ¼" NPT

RANGES
0 to 30" Hg VAC; Compound 30" Hg vac to 400 psi; 15 to 5,000 psi

DIAL STANDARD
Dual scale psi and kPa

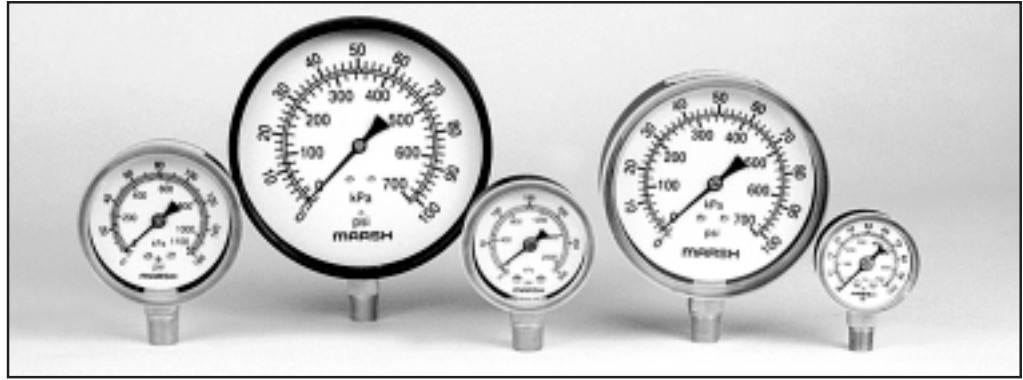
DIAL COLOR
Black markings on white

POINTER
Aluminum, black painted

WINDOW
1½", 2", 2½", 3½": flat, twist-in Clearlok
4½": flat glass window with steel friction ring

RESTRICTOR
Standard for ranges 1,000 psi and above

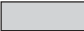
General Service Gauges



STANDARD RANGES & PART NUMBERS

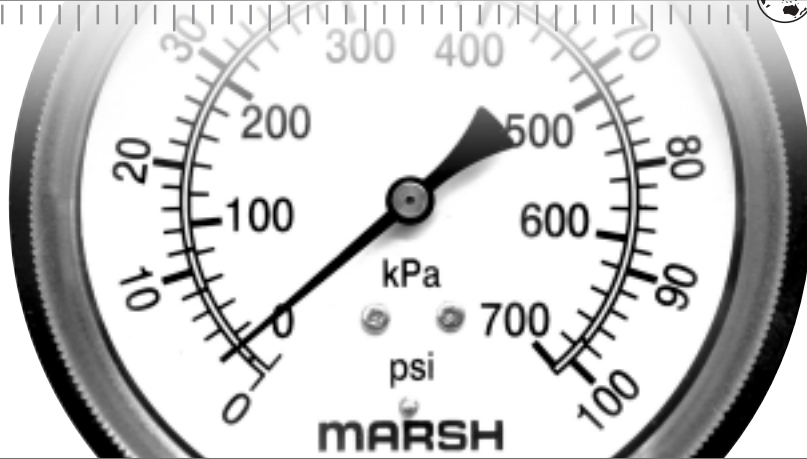
GENERAL SERVICE (SERIES "J")

TYPE	Copper Alloy											
Internals	Steel											
Case Material	psi/kPa											
Dual Scale Standard	psi/kPa											
Size	2"			2½"				3½"			4½"	
Mounting / Case Style	UC	UC	LM	LM	CB	CB	UC	UC	LM	CB	UC	LM
Connection (NPT)	⅜"	¼"	⅜"	¼"	⅜"	¼"	⅜"	¼"	¼"	¼"	¼"	¼"
0 to 30" Hg VAC	J2405	J2605	J4005	J4605	J5005	J5405	J6005	J6205	J8005	J8605	J8805	J9005
30" Hg VAC to 15psi												
30" Hg VAC to 30psi				J4612					J8012			
30" Hg VAC to 60psi				J4614					J8014			J9014
30" Hg VAC to 100psi												
30" Hg VAC to 150psi	J2418	J2618	J4018	J4618	J5018	J5418	J6018	J6218	J8018	J8618	J8818	J9018
30" Hg VAC to 200psi	J2420	J2620	J4020	J4620	J5020	J5420	J6020	J6220	J8020	J8620	J8820	J9020
30" Hg VAC to 300psi	J2424	J2624	J4024	J4624	J5024	J5424	J6024	J6224	J8024	J8624	J8824	J9024
30" Hg VAC to 400psi	J2426	J2626	J4026	J4626	J5026	J5426	J6026	J6226	J8026	J8626	J8826	J9026
0 to 15psi	J2440	J2640	J4040	J4640		J5440		J6240	J8040	J8640	J8840	J9040
0 to 30psi	J2442	J2642	J4042	J4642	J5042	J5442	J6042	J6242	J8042	J8642	J8842	J9042
0 to 60psi	J2446	J2646	J4046	J4646	J5046	J5446	J6046	J6246	J8046	J8646	J8846	J9046
0 to 100psi	J2448	J2648	J4048	J4648	J5048	J5448	J6048	J6248	J8048	J8648	J8848	J9048
0 to 160psi	J2452	J2652	J4052	J4652	J5052	J5452	J6052	J6252	J8052	J8652	J8852	J9052
0 to 200psi	J2454	J2654	J4054	J4654	J5054	J5454	J6054	J6254	J8054	J8654	J8854	J9054
0 to 300psi	J2458	J2658	J4058	J4658	J5058	J5458	J6058	J6258	J8058	J8658	J8858	J9058
0 to 400psi	J2460	J2660	J4060	J4660	J5060	J5460	J6060	J6260	J8060	J8660	J8860	J9060
0 to 600psi				J4664					J8064	J8664	J8864	J9064
0 to 1,000psi			J4072	J4672		J5472		J6272		J8672	J8872	J9072
0 to 1,500psi				J4674					J8074			
0 to 2,000psi				J4676		J5476		J6276				J9076
0 to 3,000psi	J2478	J2678		J4678	J5078	J5478	J6078	J6278				
0 to 5,000psi				J4682						J8682	J8882	J9082

NOTE:  Items are available on special order. However, minimums and lead times apply. Consult factory.

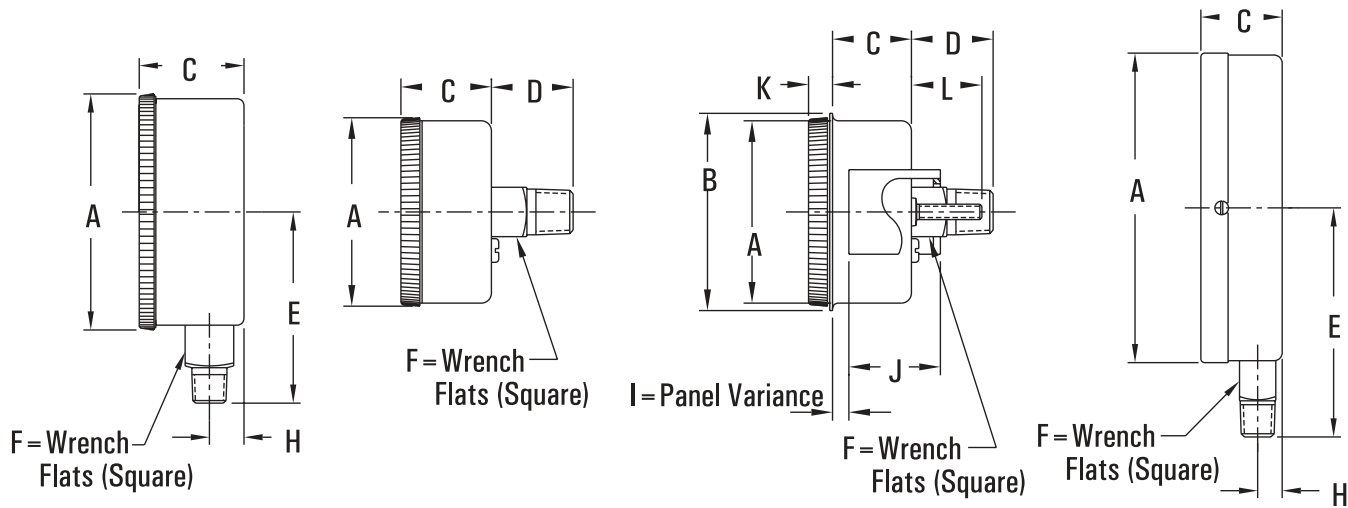


General Service Gauges



GENERAL SERVICE GAUGE OPTIONS			
OPTION	TYPE	SUFFIX	AVAILABLE ON MODELS
Restrictors	Add restrictor	H	All models - Consult factory for other sizes
Catalog Dials	psi only	E	See Marsh Price List for minimums
	bar only	L1	
	kg/cm ² only	L2	
	kPa only	L3	
	psi & bar	W1	
	psi & kg/cm ²	W2	
Custom Dials	psi & MPa	W4	
	Custom face	M	See Marsh Price List for minimums
Window	Instrument glass w/ring (GS)	F1	1½" - 3½" Consult factory for availability
	Acrylic	F2	4½" Consult factory for availability
Pointer	Adjustable (slotted) pointer (AD)	Z1	2" - 4½" Consult factory for availability
	Max. Hand Assembly (MX)	Z2	2" - 4½" Consult factory for availability
Increased	Accuracy Grade A: (2/1/2%)	B	All models - 10 piece minimum order
Cases	3 hole front flange (FF)		1½" - 3½" See below for part number
	[Part Numbers: 1½" x ½" (J07XX), 2" x ½" (J25XX), 2" x ¾" (J29XX), 2½" x ½" (J61XX), 2½" x ¾" (J63XX), 3½" x ½" (J85XX), 3½" x ¾" (J89XX)]. Consult factory for availability.		
	Stainless steel (SS)	J1	Consult factory for availability
	Brass (BR)	J2	
Rings	Friction ring (external), (FC) Polished Stainless Steel	A1	1½" to 3½" CB or LM only
	Friction ring (external), black (FB)	A2	1½" to 3½" CB or LM only
	Press ring, black (PB)	A3	2" to 3½" [Panel mount]
	Press ring, chrome (PC)	A4	2" to 3½" [Panel mount]
Special Connections			Consult Factory for availability

Dial Divisions	General Service Series "J" 3/2/3% of Span			
Ranges	Figure Intervals	Minor Graduations		
Vacuum	5	1		
COMPOUND				
30" Hg VAC to 15 psi	10	5	2	1
30" Hg VAC to 30 psi	10	10	2	1
30" Hg VAC to 60 psi	10	10	2	2
30" Hg VAC to 150 psi	30	30	5	5
30" Hg VAC to 300 psi	30	50	-	10
PRESSURE				
0 to 15 psi	3	0.2		
0 to 30 psi	5	1		
0 to 60 psi	10	1		
0 to 100 psi	10	2		
0 to 160 psi	20	2		
0 to 200 psi	50	4		
0 to 300 psi	50	5		
0 to 400 psi	50	5		
0 to 600 psi	50	10		
HIGH PRESSURE				
0 to 1,000 psi	200	20		
0 to 1,500 psi	300	20		
0 to 2,000 psi	400	40		
0 to 3,000 psi	500	100		
0 to 4,000 psi	1,000	100		
0 to 5,000 psi	1,000	100		



SERIES "J" STEEL CASE DIMENSIONS

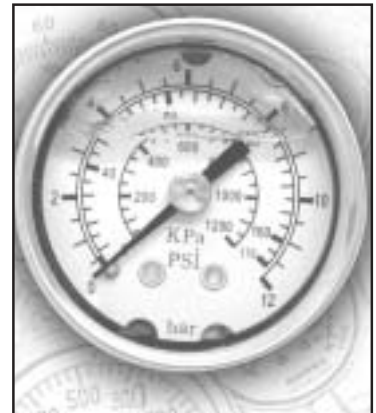
Part#	Dial Size	Mount	A	B	C	D	E	F	H	I	J	K	L
J04xx	1½	⅝" LM	1.67		.90		1.50	⅞"	.26				
J05xx	1½	⅝" UC	1.60	1.75	.71	.72		⅞"		.06-.37	.81	.19	.63
J06xx	1½	⅝" CB	1.67		.90	.72		⅞"					
J11xx	2.0	⅝" LM	2.20		1.22		1.82	⅞"	.40				
J14xx	2.0	¼" LM	2.20		1.22		1.82	⅞"	.40				
J18xx	2.0	⅝" CB	2.20		1.22	.82		⅞"					
J20xx	2.0	¼" CB	2.20		1.22	.82		⅞"					
J24xx	2.0	⅝" UC	2.06	2.25	.94	.88		⅞"		0-0.43	1.22	.20	.92
J26xx	2.0	¼" UC	2.06	2.25	.94	.88		⅞"		0-0.43	1.22	.20	.92
J40xx	2½	⅝" LM	2.73		1.22		2.10	⅞"	.40				
J46xx	2½	¼" LM	2.73		1.22		2.10	⅞"	.40				
J50xx	2½	⅝" CB	2.73		1.23	.82		⅞"					
J54xx	2½	¼" CB	2.73		1.23	.82		⅞"					
J60xx	2½	⅝" UC	2.58	2.81	.94	.88		⅞"		0-0.43	1.22	.20	.92
J62xx	2½	¼" UC	2.58	2.81	.94	.88		⅞"		0-0.43	1.22	.20	.92
J80xx	3½	¼" LM	3.71		1.22		2.77	⅞"	.40				
J86xx	3½	⅝" CB	3.71		1.15	.80		⅞"					
J88xx	3½	¼" UC	3.65	3.98	.91	.87		⅞"		0-0.49	1.10	.24	.92
J90xx	4½	¼" LM	4.53		1.22		3.16	⅞"	.40				



Liquid Filled Gauges

- 40mm & 50mm Liquid Fills
- Copper Alloy Internals
- Glycerine Filled
- Center Back Mount Only

Marsh Instruments Liquid-Filled Gauges are designed to perform in rugged and harsh environmental conditions - especially where pulsation and vibration is a problem. Liquid Filled Gauges offer a significant cushioning and dampening effect, reducing pointer flutter and internal gauge damage. Liquid Filled Gauges feature a ventable top fill plug and can be mounted on a horizontal or vertical plain. The hermetically sealed construction reduces the chance of leaks and makes field filling an easy option.

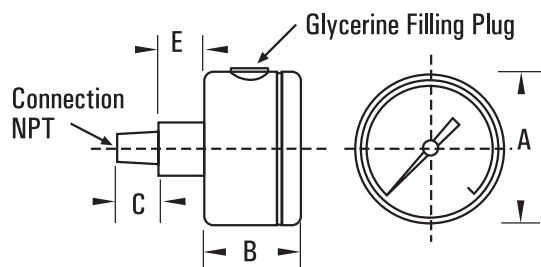


STANDARD RANGES & PART NUMBERS

TYPE	SEVERE SERVICE GAUGES	
Size	40mm	50mm
Case Material	304 Stainless Steel	
Internals	Copper Alloy	
Mounting / Case Style	CB	
Connection (NPT)	1/8" NPT	1/4" NPT
Triple Scale Standard	psi/BAR/kPa	
0 to 15psi	M4040P	M5040P
0 to 30psi	M4042P	M5042P
0 to 60psi	M4046P	M5046P
0 to 100psi	M4048P	M5048P
0 to 160psi	M4052P	M5052P

40mm and 50mm GAUGE OPTIONS

OPTION	TYPE	SUFFIX	AVAILABLE ON MODELS
Custom Dials	Custom face	M	See Marsh Price List for minimums
Other Ranges			Consult factory for availability
Fill Medium	Silicone (SL)	I	Consult factory



A-Size	B	C	E
40mm Dia	27.00mm 1.06"	11.5mm 0.45"	13.00mm 0.51"
50mm Dia	30.00mm 1.18"	11.5mm 0.45"	10.00mm 0.39"

40/50mm GAUGE

SPECIFICATIONS

ACCURACY
± 2.5% of range across full scale

CASE SIZES

40 or 50 mm diameter

CASE MATERIAL

304 Stainless Steel

CASE STYLE

CB – Center Back mount

TUBE & SOCKET

Copper Alloy tube
with nickel plated brass socket

MOVEMENT

Brass

CONNECTION

1/8" NPT & 1/4" NPT

RANGES

15 to 160 psi

DIAL STANDARD

Triple scale psi/BAR/kPa

DIAL COLOR

Black markings on white

POINTER

Aluminum, black painted

WINDOW

Acrylic

FILL MEDIUM

Glycerin

RESTRICTOR

Standard, all ranges

VENT PLUG

Filler/pressure relief plug

TEMPERATURE LIMITS

0 – 140° F (filled)

Liquid Filled Gauges



- 3 Standard Mounting Options: LM, CB and U-Clamp
- Field Fillable
- Ranges to 10,000 psi

Marsh Instruments Liquid-Filled Gauges are designed to perform in rugged applications and harsh environmental conditions - especially where pulsation and vibration are a problem. Liquid Filled Gauges offer a significant cushioning and dampening effect, reducing pointer flutter and internal gauge damage; also lubricating the internals, and reducing corrosion.

All stainless steel Liquid Filled Gauges feature a ventable top fill plug for pressure relief and ease of venting after installation. Pressure ranges are available through 10,000 psi, with high pressure ranges offering a Helical Bourdon Tube for longer gauge life and increased durability. The hermetically sealed construction reduces the chance of leaks, and makes field filling an easy option.

STANDARD RANGES & PART NUMBERS

63mm STAINLESS STEEL GAUGE

SPECIFICATIONS

ACCURACY

ASME Grade B - $\pm 3/2/3\%$ ($\pm 2\%$ of range across middle half of scale)

CASE SIZES

63mm diameter (2.47")

CASE MATERIAL

304 Stainless Steel

CASE STYLE

Rolled ring, hermetically sealed case
LM - Lower Mount
CB - Center Back Mount
UC - U-Clamp Mount

TUBE & SOCKET

Copper alloy or 316 stainless steel

MOVEMENT

Brass sector and pinion

CONNECTION

1/4"

RANGES

0 to 30" Hg VAC; Compound 30" Hg to 400 psi; 15 to 10,000 psi

DIAL STANDARD

Dual scale psi and kPa standard

DIAL COLOR

Black markings on white

POINTER

Aluminum, Black painted

WINDOW

Polycarbonate

FILL MEDIUM

Glycerin standard

RESTRICTOR

Standard for all ranges

VENT PLUG

Removable tip for venting

SEVERE SERVICE GAUGES

TYPE	SEVERE SERVICE GAUGES					
Size	63mm					
Case Material	Stainless Steel					
Internals	Copper Alloy			Stainless Steel		
Mounting / Case Style	LM	UC	CB	LM	UC	CB
Connection (NPT)	1/4"	1/4"	1/4"	1/4"	1/4"	1/4"
Dual Scale Standard	psi/kPa					
0 to 30" Hg VAC	J7605P	J7205P	J6405P	J7805P	J7405P	J6605P
30" Hg VAC to 15psi						
30" Hg VAC to 30psi	J7612P					
30" Hg VAC to 60psi	J7614P					
30" Hg VAC to 100psi						
30" Hg VAC to 150psi	J7618P	J7218P	J6418P	J7818P	J7418P	J6618P
30" Hg VAC to 200psi	J7620P	J7220P	J6420P	J7820P	J7420P	J6620P
30" Hg VAC to 300psi	J7624P	J7224P	J6424P	J7824P	J7424P	J6624P
30" Hg VAC to 400psi	J7626P	J7226P	J6426P	J7826P	J7426P	J6626P
0 to 15psi	J7640P	J7240P	J6440P	J7840P	J7440P	J6640P
0 to 30psi	J7642P	J7242P	J6442P	J7842P	J7442P	J6642P
0 to 60psi	J7646P	J7246P	J6446P	J7846P	J7446P	J6646P
0 to 100psi	J7648P	J7248P	J6448P	J7848P	J7448P	J6648P
0 to 160psi	J7652P	J7252P	J6452P	J7852P	J7452P	J6652P
0 to 200psi	J7654P	J7254P	J6454P	J7854P	J7454P	J6654P
0 to 300psi	J7658P	J7258P	J6458P	J7858P	J7458P	J6658P
0 to 400psi	J7660P	J7260P	J6460P	J7860P	J7460P	J6660P
0 to 600psi	J7664P	J7264P	J6464P	J7864P	J7464P	J6664P
0 to 1,000psi	J7672P	J7272P	J6472P	J7872P	J7472P	J6672P
0 to 1,500psi	J7674P	J7274P	J6474P	J7874P	J7474P	J6674P
0 to 2,000psi	J7676P	J7276P	J6476P	J7876P	J7476P	J6676P
0 to 3,000psi	J7678P	J7278P	J6478P	J7878P	J7478P	J6678P
0 to 5,000psi	J7682P	J7282P	J6482P	J7882P	J7482P	J6682P
0 to 6,000psi	J7684P	J7284P	J6484P	J7884P	J7484P	J6684P
0 to 10,000psi				J7890P	J7490P	J6690P

NOTE: Items are available on special order. However, minimums and lead times apply. Consult factory.

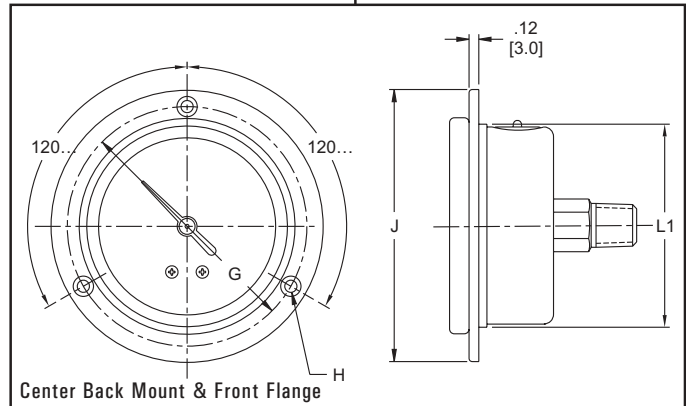
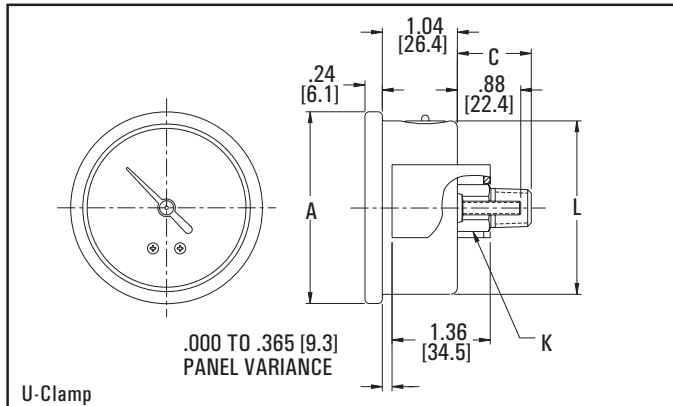
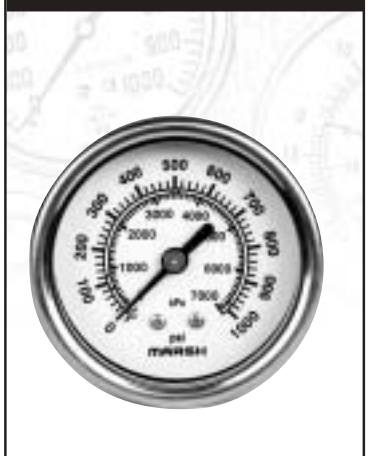


63mm SEVERE SERVICE GAUGE OPTIONS

OPTION	TYPE	SUFFIX	AVAILABLE ON MODELS	
Fill Medium	Dry (no fill)	Delete suffix P	All models	
	Silicone option (SL)	I	All models	
Front Flange	Adaptor ring (3 hole)	R1	Center Back & U-Clamp only (factory Installed)	
	Adaptor ring (no holes)	R2	U-Clamp only (factory Installed)	
Bayonet Case & Ring w/Safety Glass		J	Center Back or Lower Mount (consult factory)	
Catalog Dials	psi only	E	See Marsh Price List for minimum	
	bar only	L1		
	kg/cm ²	L2		
	kPa only	L3		
	psi & bar	W1		
	psi & kg/cm ²	W2		
Custom Dials	Logo or Custom face	M	Consult factory for colors and minimums	
	Restrictor	Special restrictor	H	All models - See Marsh Price List for minimum
		Restrictor removed	H1	
Increased Accuracy	Grade A (2/1/2%)	B	All models - See Marsh Price List for minimum	
Special Connections			Consult Factory	



FRONT FLANGE MOUNT



Dimension Table

Gauge Size	Conn- ection	A	C	G	H	K	J	L	L1
63mm	1/4"	2.66" 68mm	1.03" 26mm	2.95" 75mm	0.15" 4mm	0.56" 14mm	3.35 85mm	2.43" 62mm	2.5" 64mm

Liquid Filled Gauges



- Brass or Stainless Steel Internals
- Ranges to 10,000 psi
- Hermetically Sealed – Field Fillable

Marsh Instruments Liquid Filled Gauges are designed to perform in rugged applications and harsh environmental conditions - especially where pulsation and vibration are a problem. Liquid Filled Gauges offer a significant cushioning and dampening effect, reducing pointer flutter and internal gauge damage; also lubricating the internals, and reducing corrosion.

All stainless steel Liquid Filled Gauges feature a vent top fill plug for pressure relief and ease of venting after installation. The hermetically sealed construction reduces the chance of leaks, and makes field filling an easy option.

STANDARD RANGES & PART NUMBERS

100mm STAINLESS STEEL GAUGE

SPECIFICATIONS

ACCURACY
ASME Grade A – ±2 1/2% (±1% of range across middle half of scale)

CASE SIZES
100mm diameter (3.89")

CASE MATERIAL
304 Stainless Steel

CASE STYLE
Rolled ring, hermetically sealed case
LM – Lower Mount
CB – Center Back Mount
UC – U-Clamp Mount

TUBE & SOCKET
Copper alloy or stainless steel

MOVEMENT
Brass sector and pinion

CONNECTION
1/4" NPT

RANGES
0 to 30" Hg VAC
Compound 30" Hg VAC to 300 psi
15 to 10,000 psi

DIAL STANDARD
Dual scale psi & kPa

DIAL COLOR
Black markings on white

POINTER
Aluminum, black painted

WINDOW
Polycarbonate

FILL MEDIUM
Glycerin standard

RESTRICTOR
Standard for all ranges

VENT PLUG
Removable tip for venting

SEVERE SERVICE GAUGES

Internals	Copper Alloy			Stainless Steel		
Case Material	Stainless Steel			Stainless Steel		
Dual Scale Standard	psi/kPa			psi/kPa		
Size	100mm					
Mounting / Case Style	LM	CB	UC	LM	CB	UC
Connections (NPT)	1/4"					
0 to 30" Hg VAC	X32965P			X32967P		
30" Hg VAC to 30psi	X32501P					
30" Hg VAC to 60psi	X32502P					
30" Hg VAC to 100psi						
30" Hg VAC to 150psi	X32887P	X32901P	X32899P	X32929P	X32941P	X32935P
30" Hg VAC to 200psi	X32888P	X32902P	X32895P	X32930P	X32942P	X32936P
30" Hg VAC to 300psi	X32889P	X32903P	X32896P	X32931P	X32943P	X32937P
0 to 15psi	X32504P	X32546P	X32525P	X32630P	X32678P	X32654P
0 to 30psi	X32505P	X32547P	X32526P	X32631P	X32679P	X32655P
0 to 60psi	X32506P	X32548P	X32527P	X32632P	X32680P	X32656P
0 to 100psi	X32507P	X32549P	X32528P	X32633P	X32681P	X32657P
0 to 160psi	X32508P	X32550P	X32529P	X32634P	X32682P	X32658P
0 to 200psi	X32509P	X32551P	X32530P	X32635P	X32683P	X32659P
0 to 300psi	X32510P	X32552P	X32531P	X32636P	X32684P	X32660P
0 to 400psi	X32511P	X32553P	X32532P	X32637P	X32685P	X32661P
0 to 600psi	X32512P	X32554P	X32533P	X32638P	X32686P	X32662P
0 to 1,000psi	X32513P	X32555P	X32534P	X32639P	X32687P	X32663P
0 to 1,500psi	X32514P	X32556P	X32535P			
0 to 2,000psi	X32515P	X32557P	X32536P	X32641P	X32689P	X32665P
0 to 3,000psi	X32516P	X32558P	X32537P	X32642P	X32690P	X32666P
0 to 5,000psi	X32518P	X32560P	X32539P	X32644P	X32692P	X32668P
0 to 6,000psi	X32519P	X32561P	X32540P	X32645P	X32693P	X32669P
0 to 10,000psi				X32647P	X32695P	X32671P

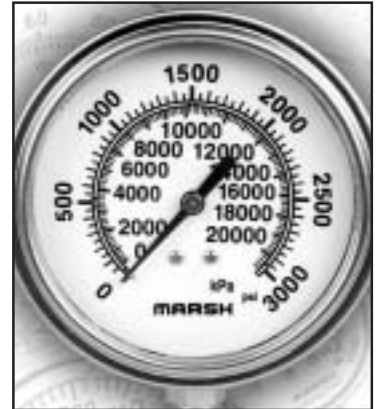
NOTE: Items are available on special order. However, minimums and lead times apply. Consult factory.



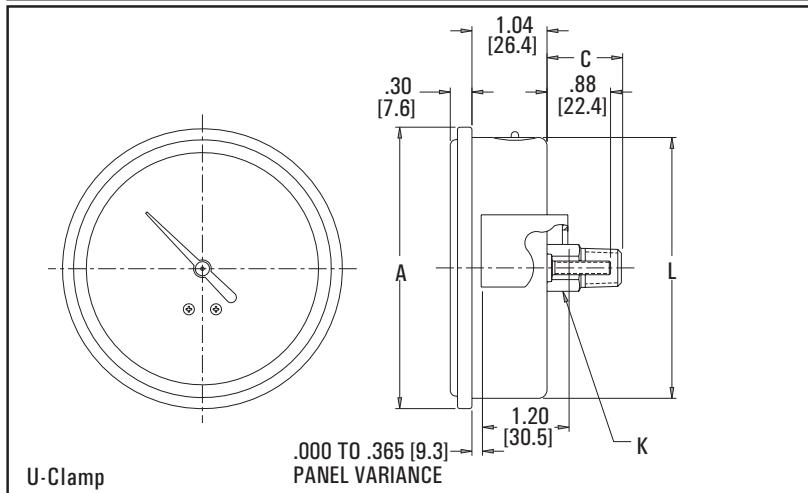
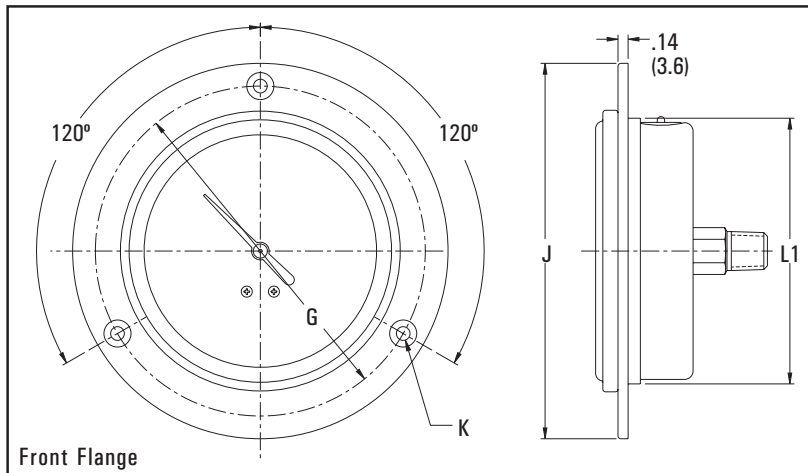
Liquid Filled Gauges

100mm SEVERE SERVICE OPTIONS

OPTION	TYPE	SUFFIX	AVAILABLE ON MODELS
Fill Medium	Dry (no fill)	Delete suffix P	All models
	Silicone option (SL)	I	All models
Front Flange	Adaptor Ring (3 hole)	R	U-Clamp & Center Back only (factory installed)
Catalog Dials	psi only	E	See Marsh Price List for minimum
	bar only	L1	
	kg/cm ²	L2	
	kPa only	L3	
	psi & bar	W1	
	psi & kg/cm ²	W2	
	psi & MPa	W4	
Custom Dials	Logo or custom face	M	Consult factory for colors and minimums.
Restrictor	Special restrictor	H	All models - See Marsh Price List for minimum
	Restrictor removed	H1	All models - See Marsh Price List for minimum
Increased Accuracy	Grade 1A ±1% full scale	B	All models - See Marsh Price List for minimum
Special Connections			Consult factory for Availability



100mm STAINLESS STEEL GAUGE



Dimension Table

Gauge Size	Conn- ection	A	C	G	H	K	J	L	L1
100mm	1/4"	3.90" 99mm	1.03" 26mm	4.57" 116mm	0.19" 5mm	9/16" 14mm	5.20" 132mm	3.62" 92mm	3.68" 94mm



Liquid Filled Gauges



- All Stainless Steel
- Field Fillable
- Ranges to 10,000 psi
- Liquid Filled or Dry
- Solid Front Design – Safecase

Marsh Instruments All Stainless Steel Gauges are built for extended life, and designed for harsh and corrosive environments. These stainless steel gauges feature top fill plugs and are field fillable. Marsh Liquid Filled Gauges offer significant cushioning and dampening which reduces pointer flutter and internal gauge damage. Suitable applications include: Refineries, chemical plants, offshore platforms, oil rigs, marine applications, general industrial application and OEM processes.

STANDARD RANGES & PART NUMBERS

100mm ELITE STAINLESS STEEL	TYPE	100mm ELITE STAINLESS STEEL
SPECIFICATIONS	Internals	316 SS
ACCURACY ASME Grade 1A – ±1.0% of range across full scale	Case Material	Stainless Steel
CASE SIZES 100mm (4")	Dual Scale Standard	psi/kPa
CASE MATERIAL 304 Stainless Steel	Size	Elite 100mm
CASE STYLE Solid front & blow-out back Safecase construction LM – Lower Mount	Mounting/Case Style	LM
TUBE & SOCKET 316 SST tube welded to 316 SST socket	Connection (NPT)	½"
MOVEMENT Stainless Steel	0 to 30" Hg VAC	W9605
CONNECTION ½" NPT	0 to 30psi	W9642
RANGES 30 to 10,000 psi and 0 to 30" VAC Hg	0 to 60psi	W9646
DIAL STANDARD Dual scale psi and kPa	0 to 100psi	W9648
DIAL COLOR Black markings on white	0 to 200psi	W9654
POINTER Aluminum, black painted	0 to 300psi	W9658
WINDOW Safety glass	0 to 600psi	W9664
FILL MEDIUM See Options	0 to 1,000psi	W9672
VENT Internal compensating diaphragm	0 to 1,500psi	W9674
	0 to 2,000psi	W9676
	0 to 3,000psi	W9678
	0 to 5,000psi	W9682
	0 to 10,000psi	W9690

NOTE: To order filled, consult filling chart below.

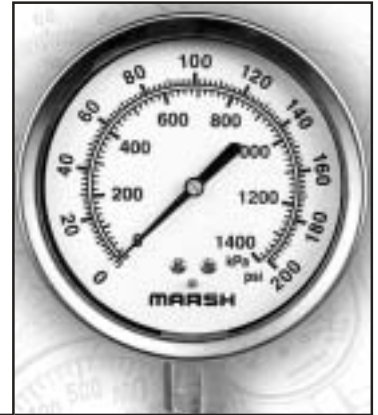
100mm ELITE OPTIONS			
OPTION	TYPE	SUFFIX	AVAILABLE ON MODELS
Fill Medium	Dry (no fill)	Standard	All ranges
	Glycerin (GL)	Add suffix P	All ranges
	Silicone (SL)	Add suffix PI	All ranges



Liquid Filled Gauges

- Liquid Filled or Dry
- Field Fillable
- Ranges to 10,000 psi
- Heavy Duty Stainless Steel

M Marsh Instruments Stainless Steel Gauges are built for extended life, and designed for harsh and corrosive environments. These stainless steel gauges feature top fill plugs and are field fillable. Pressure ranges are available to 10,000 psi. Marsh Liquid Filled Gauges offer significant cushioning and dampening which reduces pointer flutter and internal gauge damage. Suitable applications include: Refineries, chemical plants, offshore platforms, oil rigs, marine applications, general industrial application and OEM processes.



STANDARD RANGES & PART NUMBERS

TYPE	'H' SERIES 100mm STAINLESS STEEL		
Internals	316 SS		
Case Material	Stainless Steel		
Size	100mm (4")		
Dual Scale Standard	psi/kPa		
Mounting / Case Style	LM	UC	FF
Connection (NPT)	1/4"	1/4"	1/4"
0 to 30psi	H10742	H10842	H10842R
0 to 60psi	H10746	H10846	H10846R
0 to 100psi	H10748	H10848	H10848R
0 to 160psi	H10752	H10852	H10852R
0 to 200psi	H10754	H10854	H10854R
0 to 300psi	H10758	H10858	H10858R
0 to 400psi	H10760	H10860	H10860R
0 to 600psi	H10764	H10864	H10864R
0 to 1,000psi	H10772	H10872	H10872R
0 to 1,500psi	H10774	H10874	H10874R
0 to 2,000psi	H10776	H10876	H10876R
0 to 3,000psi	H10778	H10878	H10878R
0 to 5,000psi	H10782	H10882	H10882R
0 to 10,000psi	H10790	H10890	H10890R

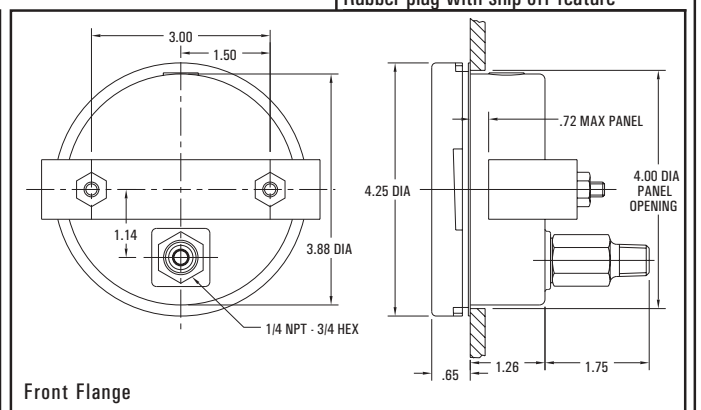
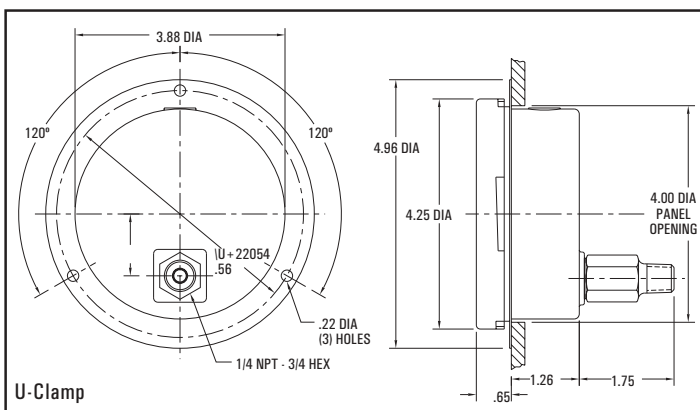
To order filled, see filling chart below.

100mm "H" GAUGE OPTIONS

OPTION	TYPE	SUFFIX	AVAILABLE ON MODELS
Fill Medium	Dry (no fill)	Standard	All ranges
	Glycerin (GL)	Add suffix P	
	Silicone (SL)	Add suffix PI	

'H' SERIES 100mm
SPECIFICATIONS
ACCURACY ASME Grade 1A - ± 1.0% of range across full scale
CASE SIZES 100mm (4")
CASE MATERIAL 304 Stainless Steel
CASE STYLES LM - Lower Mount UC - U-Clamp Mount FF - Front Flange Mount
TUBE & SOCKET 316 SST tube welded to 316 SST socket
MOVEMENT Stainless Steel
CONNECTION 1/4" NPT lower or lowerback connection
RANGES 30 to 10,000 psi
DIAL STANDARD Dual scale psi and kPa
DIAL COLOR Black markings on white
POINTER Aluminum, black painted
WINDOW Acrylic
FILL MEDIUM See options
VENT Rubber plug with snip-off feature

DIMENSIONS



Liquid Filled Gauges



- Liquid Filled or Dry - Field Fillable
- Socket Welded to the Case
- Ranges to 10,000 psi
- Heavy Duty All Stainless Steel

Marsh Instruments Stainless Steel Gauges are built for extended life, and designed for harsh and corrosive environments. These stainless steel gauges feature top fill plugs and are field fillable. Pressure ranges are available to 10,000psi. Marsh Liquid Filled Gauges offer significant cushioning and dampening which reduces pointer flutter and internal gauge damage. Suitable applications include: Refineries, chemical plants, offshore platforms, oil rigs, marine applications, general industrial application and OEM processes.

STANDARD RANGES & PART NUMBERS

100mm STAINLESS STEEL	TYPE	'HW' 100mm STAINLESS STEEL GAUGES
SPECIFICATIONS	Internals	316 SS
ACCURACY	Case Material	Stainless Steel
ASME Grade 1A - ±1.0% of range across full scale	Dual Scale Standard	psi/kPa
CASE SIZES	Size	100mm (4")
100mm (4")	Mounting /Case Style	LM
CASE MATERIAL	Connection	½" NPT
304 Stainless Steel	0 to 15psi	
CASE STYLES	0 to 30psi	HW10942
LM - Lower Mount	0 to 60psi	HW10946
TUBE & SOCKET	0 to 100psi	HW10948
316 Stainless steel welded to the case	0 to 160psi	HW10952
MOVEMENT	0 to 200psi	HW10954
Stainless Steel	0 to 300psi	HW10958
CONNECTION	0 to 400psi	HW10960
½" NPT	0 to 600psi	HW10964
RANGES	0 to 1,000psi	HW10972
15 to 10,000 psi	0 to 1,500psi	HW10974
DIAL STANDARD	0 to 2,000psi	HW10976
Dual scale psi and kPa	0 to 3,000psi	HW10978
DIAL COLOR	0 to 5,000psi	HW10982
Black markings on white	0 to 10,000psi	HW10990
POINTER	0 to 20,000psi	HW10994
Aluminum, black painted		
WINDOW		
Safety glass		
FILL MEDIUM		
See options		
VENT		
Rubber plug with snip-off feature		

NOTE: Items are available on special order. However, minimums and lead times apply. Consult factory.

NOTE: To order filled, consult filling chart below.

100mm "HW" GAUGE OPTIONS

OPTION	TYPE	SUFFIX	AVAILABLE ON MODELS
Fill Medium	Dry (no fill)	Standard	All ranges
	Glycerin (GL)	Add suffix P	
	Silicone (SL)	Add suffix PI	

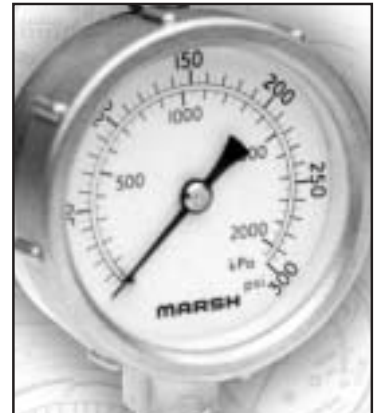


Liquid Filled Gauges

- Ranges to 10,000 psi
- Field Fillable
- Rugged One Piece Construction
- 63mm Case Size

Marsh Instruments Brass Case liquid filled gauges are designed to perform in severe applications. When pulsation and vibration are a problem, this one piece forged brass gauge is up to the task. Liquid filled lubricates the movement, protects the gauge internals, and reduces pointer flutter. The hermetically sealed construction reduces the chance for leaks, and makes field filling an easy option. This product features a vented top fill plug for continuous pressure relief.

Suitable applications include power units, robotics, pumps, compressors, hydraulics, as well as die cast machinery, marine, and automotive applications.



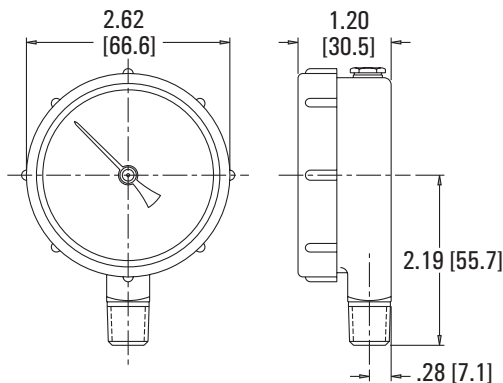
STANDARD RANGES & PART NUMBERS

TYPE	63mm LIQUID FILLED BRASS
Internals	Copper Alloy
Case Material	Brass Forged
Size	63mm
Dual Scale Standard	psi/kPa
Mounting / Case Style	LM
Connection	1/4" NPT
0 to 30" Hg VAC	W9005
30" Hg VAC to 30psi	W9012
30" Hg VAC to 60psi	W9014
30" Hg VAC to 100psi	W9016
0 to 15psi	W9040
0 to 30psi	W9042
0 to 60psi	W9046
0 to 100psi	W9048
0 to 160psi	W9052
0 to 200psi	W9054
0 to 300psi	W9058
0 to 400psi	W9060
0 to 600psi	W9064
0 to 1,000psi	W9072
0 to 1,500psi	W9074
0 to 2,000psi	W9076
0 to 3,000psi	W9078
0 to 5,000psi	W9082
0 to 6,000psi	W9084
0 to 7,500psi	W9086
0 to 10,000psi	W9090

63mm LIQUID FILLED BRASS GAUGE OPTIONS

OPTION	TYPE	SUFFIX	AVAILABLE ON MODELS
Fill Medium	Dry (no fill)	Standard	All ranges
	Glycine	Add suffix P	
	Silicone (SL)	Add suffix PI	
Window	Safety Glass (SG)	F3	All ranges

BRASS GAUGE
SPECIFICATIONS
ACCURACY ASME Grade $\pm 2\frac{1}{2}\%$ (1% of range across middle half of scale)
CASE SIZES 63mm (2.47")
CASE MATERIAL Forged Brass (one piece case & socket)
CASE STYLES LM – Lower Mount with screw on brass ring
TUBE & SOCKET Copper alloy
MOVEMENT Brass sector and pinion
CONNECTION 1/4" NPT
RANGES 0 to 30" Hg VAC, Compound 30" to 100 psi, 15 to 10,000 psi
DIAL STANDARD Dual scale psi and kPa
DIAL COLOR Black markings on white
POINTER Aluminum, black painted
WINDOW Acrylic
FILL MEDIUM See Options
VENT Rubber plug with snip-off feature



Precision Service Gauges

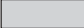


- Dial Sizes: 3½" and 4½"
- Stainless Steel Movement
- 3 Case Styles
- Recalibrator Standard
- Ranges to 20,000 psi

Marsh Quality Gauges feature the exclusive recalibrator and are used on air compressors, reciprocating pumps, boilers, engines, hydraulic presses and countless other industrial and OEM applications. Our Quality Gauges provide continuous service at an economical price. Accuracy is within ± 1% in the middle half of span.

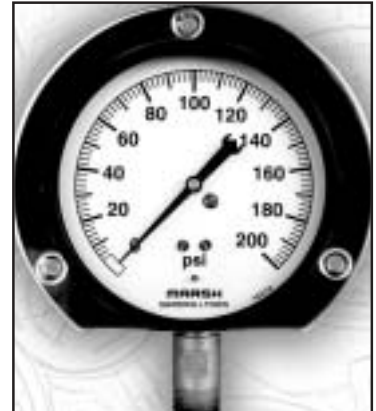
STANDARD RANGES & PART NUMBERS

QUALITY GAUGES (SERIES 'H')	QUALITY GAUGES							
SPECIFICATIONS	With Recalibrator				With Adjustable Pointer			
ACCURACY ASME Grade A - ± 2/1/2% (± 1% of range in middle half of scale)	3½"				4½"			
CASE SIZES 3½" and 4½" diameter 6" diameter (see options)	Copper Alloy				Copper Alloy			
CASE MATERIAL Steel, Painted Black	Steel				Steel			
CASE STYLE P - Plain Case, Lower Mount G - Back Flanged case F - Front Flanged, Lower Back Mount with U-Clamp; 4½" has Hinged Ring (LBM)	LM	LM	LBM	LBM	LM	LM	LBM	LBM
TUBE & SOCKET Copper alloy	¼"	¼"	¼"	¼"	¼"	½"	¼"	¼"
MOVEMENT Stainless Steel	P	G	G	F	P	P	F	F
RECALIBRATOR Standard 3½" only, 4½" has adjustable pointer	psi	psi	psi	psi	psi	psi	psi	psi
CONNECTION ¼" or ½" NPT	0 to 30" Hg VAC	H0205	H1205	H1805	H2005	H4205	H4805	H6005
RANGES 0 to 30" Hg VAC; Compound 30" Hg VAC to 300 psi; 15 to 20,000 psi	30" Hg VAC to 30psi	H0212	H1212	H1812	H2012	H4212	H4812	H6012
DIAL STANDARD single scale psi	30" Hg VAC to 60psi	H0214	H1214	H1814	H2014	H4214	H4814	H6014
DIAL COLOR Black markings on white	30" Hg VAC to 150psi	H0218	H1218	H1818	H2018	H4218	H4818	H6018
POINTER Aluminum, black painted	30" Hg VAC to 300psi	H0224	H1224	H1824	H2024	H4224	H4824	H6024
WINDOW Instrument Glass	0 to 15psi	H0240						
	0 to 30psi	H0242	H1242	H1842	H2042	H4242	H4842	H6042
	0 to 60psi	H0246	H1246	H1846	H2046	H4246	H4846	H6046
	0 to 100psi	H0248	H1248	H1848	H2048	H4248	H4848	H6048
	0 to 160psi	H0252	H1252	H1852	H2052	H4252	H4852	H6052
	0 to 200psi	H0254	H1254	H1854	H2054	H4254	H4854	H6054
	0 to 300psi	H0258	H1258	H1858	H2058	H4258	H4858	H6058
	0 to 400psi	H0260	H1260	H1860	H2060	H4260	H4860	H6060
	0 to 600psi	H0264	H1264	H1864	H2064	H4264	H4864	H6064
	0 to 1,000psi	H0272	H1272	H1872	H2072	H4272	H4872	H6072
	0 to 1,500psi	H0274	H1274	H1874	H2074		H4874	
	0 to 2,000psi	H0276	H1276	H1876	H2076		H4876	
	0 to 3,000psi	H0278	H1278	H1878	H2078		H4878	
	0 to 4,000psi	H0280	H1280	H1880	H2080			
	0 to 5,000psi	H0282	H1282	H1882	H2082		H4882	
	0 to 6,000psi	H0284	H1284	H1884	H2084			
	0 to 10,000psi	H0290	H1290	H1890	H2090		H4890	
	0 to 15,000psi	H0292	H1292	H1892	H2092			
	0 to 20,000psi	H0294	H1294	H1894	H2094			

NOTE:  Items are available on special order. However, minimums and lead times apply. Consult factory.

QUALITY GAUGE OPTIONS

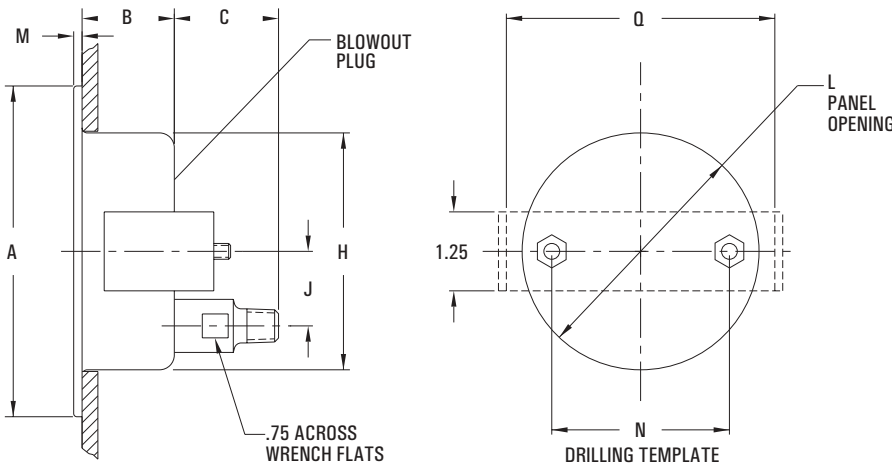
OPTION	TYPE	SUFFIX	AVAILABLE ON MODELS
Restrictors	Add restrictor	H	All ranges
Catalog Dials	bar only	L1	See Marsh Price List for minimum
	kg/cm ² only	L2	
	kPa only	L3	
	psi & bar	W1	
	psi & kg/cm ²	W2	
	psi & kPa	W3	
Custom Dials	Logo or Custom Face	M	All models - consult factory
	Window	Acrylic (AY)	F2 3½" - 4½"
	Safety Glass (SG)	F3	3½" - 4½"
Increased Accuracy	Grade 1A: ±1% full scale	B	All models
	Grade 2A: ±0.5% full scale	B	All models
Cases	Aluminum Back Flange	J	4½" - 6" consult factory
	Steel Hinged Ring Case	J	6" consult factory



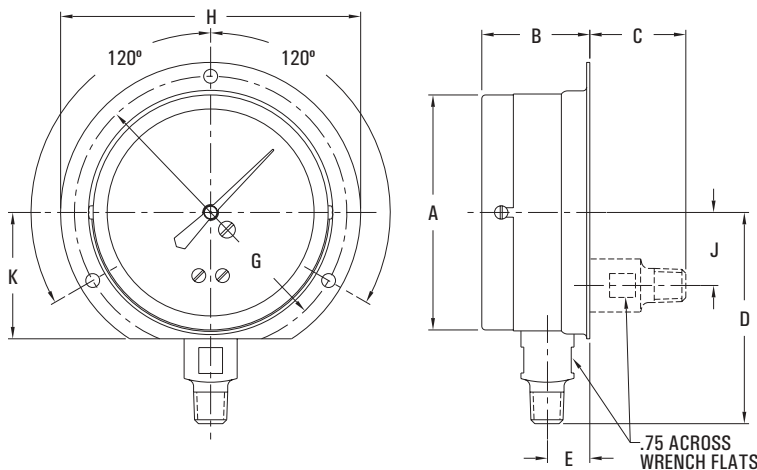
QUALITY GAUGES (SERIES 'H')

Dial Divisions	Quality Gauge Series "H" 2/1/2% of Span		
Ranges	Figure Intervals	Minor Graduations	
Vacuum	3	0.2	
COMPOUND			
30" Hg VAC to 15 psi	5	3	0.5
30" Hg VAC to 30 psi	10	5	1
30" Hg VAC to 60 psi	10	10	1
30" Hg VAC to 150 psi	30	30	2
30" Hg VAC to 300 psi	30	30	5
PRESSURE			
0 to 15 psi	1	0.1	
0 to 30 psi	5	0.2	
0 to 60 psi	5	0.5	
0 to 100 psi	10	1	
0 to 160 psi	20	1	
0 to 200 psi	20	2	
0 to 300 psi	50	2	
0 to 400 psi	50	2	
0 to 600 psi	50	5	
HIGH PRESSURE			
0 to 1,000 psi	100	10	
0 to 1,500 psi	300	20	
0 to 2,000 psi	200	20	
0 to 3,000 psi	500	20	
0 to 4,000 psi	500	20	
0 to 5,000 psi	500	100	
0 to 6,000 psi	1,000	100	
0 to 10,000 psi	1,000	100	
0 to 15,000 psi	3,000	200	
0 to 20,000 psi	2,000	200	

Case Patterns & Dimensions



Size	A	B	C	H	J	L	M	N	Q
3½"	4.86	1.66	1.55	3.75	1.16	3.75	.11	2.81	4.25
4½"	6.31	1.39	2.15	4.81	1.27	4.88	.11	3.88	5.31



Size	A	B	C	D	E	G	J	K	Panel Mounting
3½"	3.72	1.69	1.55	3.34	.67	4.31	1.16	2.00	.22

Precision Service Gauges



- Adjustable Micrometer Knife-Edge Pointer with Mirror Dial
- Stainless Steel Movement
- Dial Size: 4½"
- Ranges to 10,000 psi

M Marsh Test Gauges are used in precision laboratory applications and industrial environments where precise accuracy is demanded. Accuracy is ±0.25% of full span.

STANDARD RANGES & PART NUMBERS

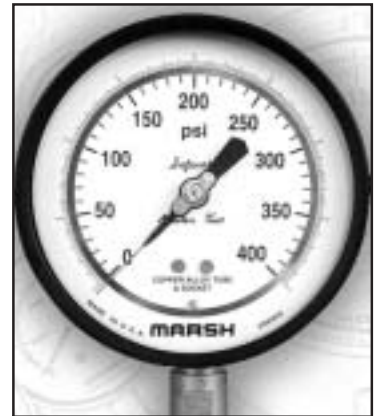
TEST GAUGE SERIES 'D'	TYPE	TEST GAUGES						
SPECIFICATIONS	Size	4½"			4½"			
ACCURACY ASME Grade 3A – ±0.25% of range across full scale	Internals	Copper Alloy			Stainless Steel			
CASE SIZE 4½" diameter	Case Material	Steel	Steel	Steel	Steel	Steel	Steel	Steel
CASE MATERIAL Steel, Black Painted	Mounting	LM	LM	LBM	LM	LM	LBM	LBM
CASE STYLE P – Plain Case Lower Mount (LM) F – Front Flanged with U-clamp and hinged ring (LBM)	Connection (NPT)	¼"	½"	¼"	¼"	½"	¼"	½"
PRESSURE RELIEF Blowout plug	Style	P	P	F	P	P	F	F
TUBE & SOCKET Copper alloy or 316 Stainless Steel	0 to 30" Hg VAC	D0205	D0605	D1205	D5205	D5605	D6105	D6405
MOVEMENT Stainless Steel	30" Hg VAC to 15psi	D0210	D0610	D1210	D5210	D5610	D6110	D6410
CONNECTION ¼" or ½" NPT	30" Hg VAC to 30psi	D0212	D0612	D1212	D5212	D5612	D6112	D6412
RANGES 0 to 30" Hg VAC; Compound 30" Hg to 60 psi; 15 to 10,000 psi	30" Hg VAC to 60psi	D0214	D0614	D1214	D5214	D5614	D6114	D6414
DIAL STANDARD single scale psi	0 to 15psi	D0240	D0640	D1240	D5240	D5640	D6140	D6440
DIAL COLOR Black markings on white aluminum with mirror dial to avoid parallax	0 to 30psi	D0242	D0642	D1242	D5242	D5642	D6142	D6442
POINTER Knife-edge micrometer Aluminum, black painted	0 to 60psi	D0246	D0646	D1246	D5246	D5646	D6146	D6446
WINDOW Instrument Glass	0 to 100psi	D0248	D0648	D1248	D5248	D5648	D6148	D6448
	0 to 160psi	D0252	D0652	D1252	D5252	D5652	D6152	D6452
	0 to 200psi	D0254	D0654	D1254	D5254	D5654	D6154	D6454
	0 to 300psi	D0258	D0658	D1258	D5258	D5658	D6158	D6458
	0 to 400psi	D0260	D0660	D1260	D5260	D5660	D6160	D6460
	0 to 600psi	D0264	D0664	D1264	D5264	D5664	D6164	D6464
	0 to 1,000psi				D5272	D5672	D6172	D6472
	0 to 1,500psi				D5274	D5674	D6174	D6474
	0 to 2,000psi				D5276	D5676	D6176	D6476
	0 to 3,000psi				D5278	D5678	D6178	D6478
	0 to 5,000psi				D5282	D5682	D6182	D6482
	0 to 10,000psi				D5290	D5690	D6190	D6490

NOTE: For test gauge in aluminum case, consult factory.
For 6" test gauge; consult factory for availability.



TEST GAUGE OPTIONS

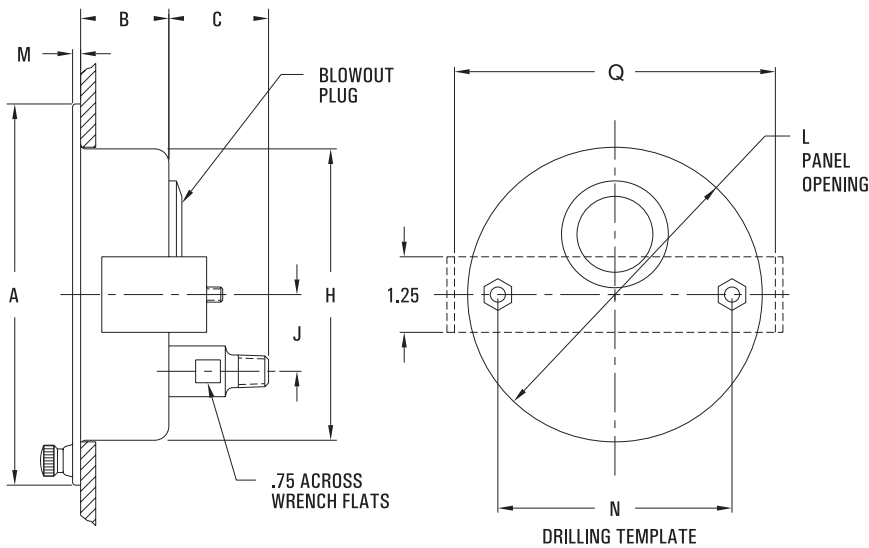
OPTION	TYPE	SUFFIX	AVAILABLE ON MODELS
Restrictors	Add restrictor	H	All ranges
Catalog Dials	bar only	L1	See Marsh Price List for minimum
	kg/cm ² only	L2	
	kPa only	L3	
	psi & bar	W1	
	psi & kg/cm ²	W2	
	psi & kPa	W3	
	psi & MPa	W4	
Custom Dials	Logo or Custom Face	M	All models - consult factory
Window	Acrylic (AY)	F2	4½"
	Safety Glass (SG)	F3	4½"
Cases	4½" Polypropylene (TR)	J1	Consult Factory
	4½" Aluminum Back Flange	J2	



TEST GAUGE SERIES 'D'

Dial Divisions	Test Gauge Series "D" 0.25% of Span			
Ranges	Figure Intervals	Minor Graduations		
Vacuum	2	0.1		
COMPOUND				
30" Hg VAC to 15 psi	5	3	0.2	0.1
30" Hg VAC to 30 psi	10	5	0.5	0.1
30" Hg VAC to 60 psi	10	5	1	0.2
30" Hg VAC to 150 psi	30	10	2	0.5
30" Hg VAC to 300 psi	30	30	5	1
PRESSURE				
0 to 15 psi	1	0.5		
0 to 30 psi	2	0.1		
0 to 60 psi	5	0.2		
0 to 100 psi	10	0.5		
0 to 160 psi	10	0.5		
0 to 200 psi	20	1		
0 to 300 psi	50	1		
0 to 400 psi	50	2		
0 to 600 psi	50	2		
HIGH PRESSURE				
0 to 1,000 psi	100	5		
0 to 1,500 psi	100	5		
0 to 2,000 psi	200	10		
0 to 3,000 psi	500	10		
0 to 4,000 psi	500	20		
0 to 5,000 psi	500	20		
0 to 6,000 psi	500	20		
0 to 10,000 psi	1,000	50		
0 to 15,000 psi	3,000	100		
0 to 20,000 psi	2,000	200		

Case Patterns & Dimensions



Size	A	B	C	H	J	L	M	N	Q
4½"	6.31	1.39	2.31	4.81	1.27	4.88	.11	3.88	5.31

Precision Service Gauges



- 3" Dial
- Vacuum to 1,000 psi Range
- Recalibrator on Dial Face
- ASME Grade 2A Accuracy

Marsh Inspector's Test Gauges are specifically designed for use by steam boiler, air brake and pressure system inspectors. The rugged 3" Inspector's Test Gauge features a nickel-plated case and an accuracy of $\pm 0.5\%$ of span.

STANDARD RANGES & PART NUMBERS

INSPECTOR'S TEST GAUGE	TYPE	INSPECTOR'S TEST GAUGES
SPECIFICATIONS	Size	3"
ACCURACY	Internals	Copper Alloy
ASME Grade 2A - $\pm 0.5\%$ of span across full scale	Mounting	LM
CASE SIZES	Connection (NPT)	1/4"
3" diameter	Case	Nickel Plated Brass
CASE MATERIAL	Scale Standard	psi
Nickel Plated Brass	0 to 30" Hg VAC	D1505
CASE STYLE	0 to 15psi	D1540
Lower Mount with threaded ring	0 to 30psi	D1542
TUBE & SOCKET	0 to 60psi	D1546
Copper alloy tube and socket	0 to 100psi	D1548
MOVEMENT	0 to 160psi	D1552
All Brass	0 to 200psi	D1554
RECALIBRATOR	0 to 300psi	D1558
Adjustable dial screw	0 to 600psi	D1564
CONNECTION	0 to 1,000psi	D1572
1/4" NPT		

INSPECTOR'S TEST GAUGE OPTIONS

OPTION	TYPE	SUFFIX	AVAILABLE ON MODELS
Restrictors	Add restrictor	H	All ranges
Catalog Dials	bar only	L1	See Marsh Price List for minimum
	kg/cm ² only	L2	
	kPa only	L3	
	psi & bar	W1	
	psi & kg/cm ²	W2	
	psi & kPa	W3	
	psi & MPa	W4	
Custom Dials	Logo or Custom Face	M	All models - consult factory

INSPECTOR'S TEST GAUGE
SPECIFICATIONS
ACCURACY
ASME Grade 2A - $\pm 0.5\%$ of span across full scale
CASE SIZES
3" diameter
CASE MATERIAL
Nickel Plated Brass
CASE STYLE
Lower Mount with threaded ring
TUBE & SOCKET
Copper alloy tube and socket
MOVEMENT
All Brass
RECALIBRATOR
Adjustable dial screw
CONNECTION
1/4" NPT
RANGES
0 to 30" Hg VAC; 15 to 1,000 psi
DIAL STANDARD
Single Scale psi
DIAL COLOR
Black markings on white
POINTER
Knife-edge, Aluminum, black painted
WINDOW
Beveled glass
PROTECTIVE COVER
Opaque plastic lens cover



- 4½" and 6" Dials
- 4 Safecase Designs
- Pressure Ranges Vacuum to 20,000 psi
- Dry or Liquid Filled
- Micrometer Pointer

Marsh Process Gauges are first in performance. With over 125 years of proven experience, Marsh offers the most complete line of process instrumentation in the industry. An extensive list of designs and options makes the Marsh line of Process Gauges the intelligent and practical choice in process instrumentation. All case styles feature safecase solid-front construction.



STANDARD RANGES & PART NUMBERS

TYPE	PROCESS GAUGES					
Size	4½"					
Material	Polypropylene Case					
Internals	Copper Alloy			Stainless Steel		
	LM	LBM	LM	LBM	LM	LBM
Mounting	LM	LBM	LM	LBM	LM	LBM
Connection (NPT)	¼"	¼"	½"	½"	¼"	¼"
Case Style	T	T	T	T	T	T
Scale Standard	psi	psi	psi	psi	psi	psi
0 to 30" Hg VAC	P0105	P0205	P0505	P0605	P5105	P5205
30" Hg VAC to 15psi	P0110	P0210	P0510	P0610	P5110	P5210
30" Hg VAC to 30psi	P0112	P0212	P0512	P0612	P5112	P5212
30" Hg VAC to 60psi	P0114	P0214		P0614	P5114	P5214
30" Hg VAC to 100psi	P0116	P0216	P0516	P0616	P5116	P5216
30" Hg VAC to 200psi	P0120	P0220	P0520	P0620	P5120	P5220
30" Hg VAC to 300psi	P0124	P0224	P0524	P0624	P5124	P5224
0 to 15psi	P0140	P0240	P0540	P0640	P5140	P5240
0 to 30psi	P0142	P0242	P0542	P0642	P5142	P5242
0 to 60psi	P0146	P0246	P0546	P0646	P5146	P5246
0 to 100psi	P0148	P0248	P0548	P0648	P5148	P5248
0 to 160psi	P0152	P0252	P0552	P0652	P5152	P5252
0 to 200psi	P0154	P0254	P0554	P0654	P5154	P5254
0 to 300psi	P0158	P0258	P0558	P0658	P5158	P5258
0 to 400psi	P0160	P0260	P0560	P0660	P5160	P5260
0 to 600psi	P0164	P0264	P0564	P0664	P5164	P5264
0 to 1,000psi	P0168	P0268	P0568	P0668	P5168	P5268
0 to 1,500psi		P0574		P5174	P5274	
0 to 2,000psi		P0576		P5176	P5276	
0 to 3,000psi		P0578		P5178	P5278	
0 to 5,000psi		P0582		P5182	P5282	
0 to 10,000psi		P0590		P5190	P5290	
0 to 15,000psi					P5192	P5292
0 to 20,000psi					P5194	P5294

Add "P" Suffix to P/N for Liquid Filling with Glycerine, add "PI" for Silicone.

NOTE: Lower back mount gauges are not fillable

NOTE: Items are available on special order. However, minimums and lead times apply. Consult factory.

POLYPROPYLENE CASE

SPECIFICATIONS

ACCURACY

ASME Grade 2A - ±0.5% of full scale

CASE SIZES

4½" and 6" diameter

CASE MATERIAL

Safecase polypropylene (turret style only) & safecase aluminum

CASE STYLE

4½": T - Turret (polypropylene), G - Back flanged case (aluminum) or H - Front flange hinged ring (aluminum)
6": G - Back flanged case.

TUBE & SOCKET

Copper alloy or 316 stainless steel

MOVEMENT

Stainless Steel

CONNECTION

¼" or ½" NPT
LM - Lower Mount
LBM - Lower Back Mount

RANGES

0 to 30" Hg VAC; Compound 30" Hg VAC to 300 psi; 15 to 20,000 psi

DIAL STANDARD

Single Scale psi

DIAL COLOR

Black markings on white

POINTER

Aluminum Adjustable Micrometer, black painted

WINDOW

Acrylic

FILL MEDIUM

Dry or filled. Note: ALL 4½" lower mount Process Gauges are field-fillable. Optional factory filled glycerin or silicone

SAFECASE

Safecase construction standard on all Process Gauges

VENT

Internal compensating diaphragm

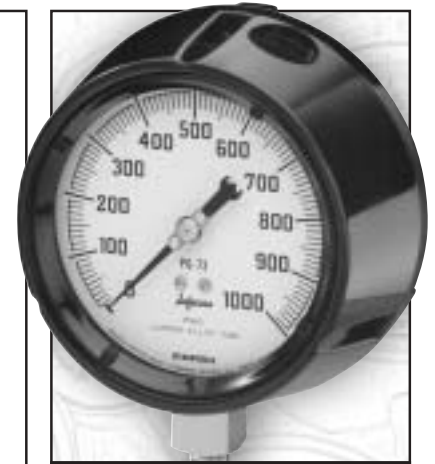
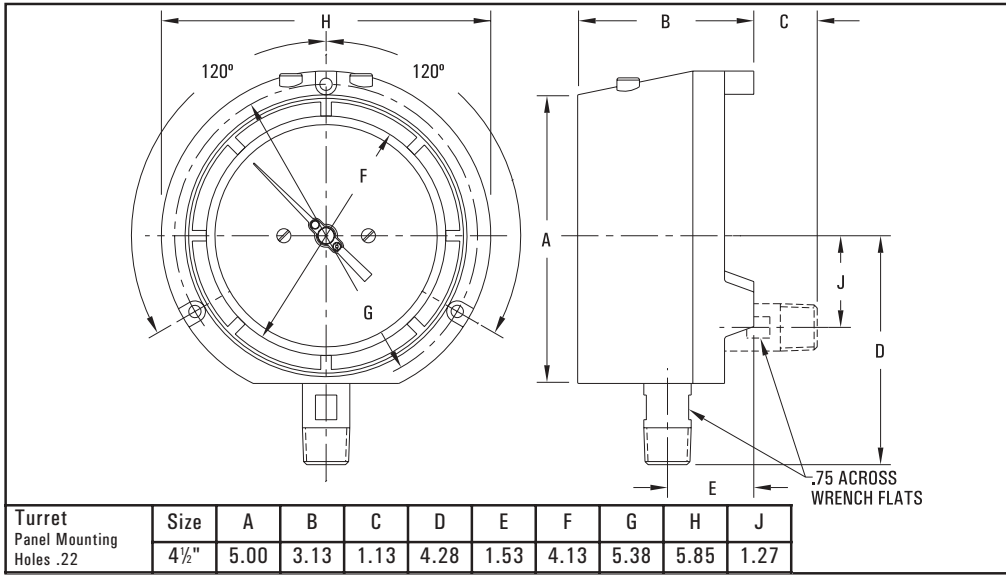
Process Gauges



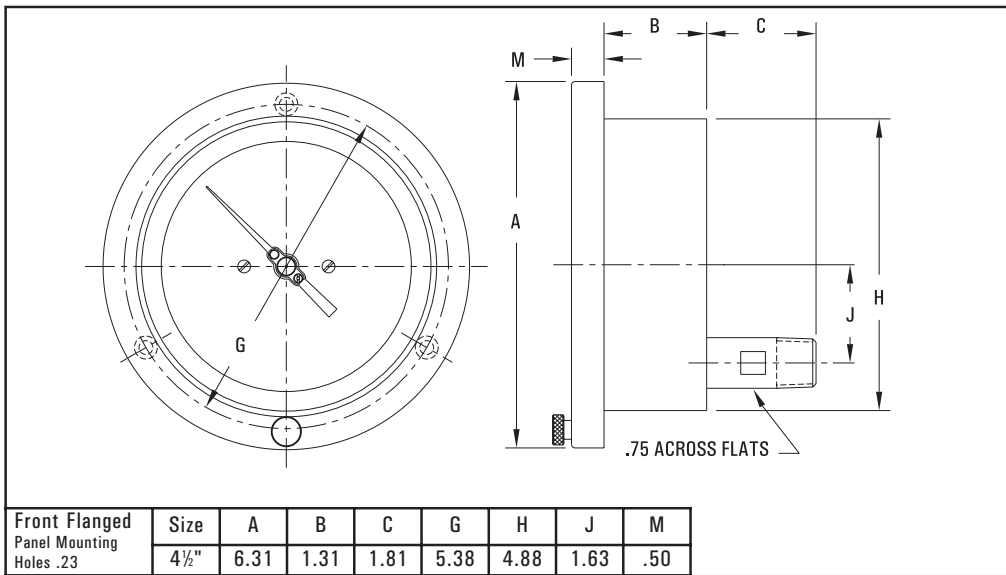
PROCESS GAUGES - STANDARD RANGES & PART NUMBERS												
Size	4 1/2"											
Case	Polypropylene				Aluminum				Aluminum			
Internals	Stainless Steel				Copper Alloy				Stainless Steel			
Mounting	LM	LBM			LM	LM	LBM	LBM	LBM	LM	LM	
Connection (NPT)	1/2"	1/2"	1/4"	1/2"	1/4"	1/2"	1/4"	1/2"	1/4"	1/2"	1/2"	
Case Style	T	T	G	G	G	G	H	H	H	G	G	
Scale Standard	psi	psi	psi	psi	psi	psi	psi	psi	psi	psi	psi	
0 to 30" Hg VAC	P5605	P5705	P10005	P10505	P11005	P11505	P16005	P16505	P14005	P14505		
30" Hg VAC to 15p	P5610	P5710	P10010	P10510	P11010	P11510	P16010	P16510	P14010	P14510		
30" Hg VAC to 30p	P5612	P5712	P10012	P10512	P11012	P11512	P16012	P16512	P14012	P14512		
30" Hg VAC to 60p	P5614	P5714	P10014	P10514	P11014	P11514	P16014	P16514	P14014	P14514		
30" Hg VAC to 100p	P5616	P5716	P10016	P10516	P11016	P11516	P16016	P16516	P14016	P14516		
30" Hg VAC to 200p	P5620	P5720	P10020	P10520	P11020	P11520	P16020	P16520				
30" Hg VAC to 300p	P5624	P5724	P10024	P10524	P11024	P11524	P16024	P16524				
0 to 15p	P5640	P5740	P10040	P10540	P11040	P11540	P16040	P16540	P14040	P14540		
0 to 30p	P5642	P5742	P10042	P10542	P11042	P11542	P16042	P16542	P14042	P14542		
0 to 60p	P5646	P5746	P10046	P10546	P11046	P11546	P16046	P16546	P14046	P14546		
0 to 100p	P5648	P5748	P10048	P10548	P11048	P11548	P16048	P16548	P14048	P14548		
0 to 160p	P5652	P5752	P10052	P10552	P11052	P11552	P16052	P16552	P14052	P14552		
0 to 200p	P5654	P5754	P10054	P10554	P11054	P11554	P16054	P16554	P14054	P14554		
0 to 300p	P5658	P5758	P10058	P10558	P11058	P11558	P16058	P16558	P14058	P14558		
0 to 400p	P5660	P5760	P10060	P10560	P11060	P11560	P16060	P16560	P14060	P14560		
0 to 600p	P5664	P5764	P10064	P10564	P11064	P11564	P16064	P16564	P14064	P14564		
0 to 1,000p	P5668	P5768	P10068	P10568	P11068	P11568	P16068	P16568	P14068	P14568		
0 to 1,500p	P5674	P5774									P14574	
0 to 2,000p	P5676	P5776									P14576	
0 to 3,000p	P5678	P5778									P14578	
0 to 5,000p	P5682	P5782									P14582	
0 to 10,000p	P5690	P5790									P14590	
0 to 15,000p	P5692	P5792									P14592	
0 to 20,000p	P5694	P5794									P14594	
Size	4 1/2"				6"				6"			
Case	Aluminum				Aluminum				Aluminum			
Internal	Stainless Steel				Copper Alloy				Stainless Steel			
Mounting	LBM	LBM	LBM	LBM	LM	LM	LBM	LBM	LM	LM	LBM	LBM
Connection (NPT)	1/4"	1/2"	1/4"	1/2"	1/4"	1/2"	1/4"	1/2"	1/4"	1/2"	1/4"	1/2"
Case Style	G	G	H	H	G	G	G	G	G	G	G	G
Scale Standard	psi	psi	psi	psi	psi	psi	psi	psi	psi	psi	psi	psi
0 to 30" Hg VAC	P15005	P15505	P18005	P18505	P20005	P20505	P21005	P21505	P24005	P24505	P25005	P25505
30" Hg VAC to 15p	P15010	P15510	P18010	P18510	P20010	P20510	P21010	P21510	P24010		P25010	P25510
30" Hg VAC to 30p	P15012	P15512	P18012	P18512	P20012	P20512	P21012	P21512	P24012	P24512	P25012	P25512
30" Hg VAC to 60p	P15014	P15514	P18014	P18514	P20014	P20514	P21014	P21514	P24014	P24514	P25014	P25514
30" Hg VAC to 100p	P15016	P15516	P18016	P18516	P20016	P20516	P21016	P21516	P24016	P24516	P25016	P25516
30" Hg VAC to 200p	P15020	P15520	P18020	P18520								
30" Hg VAC to 300p	P15024	P15524	P18024	P18524								
0 to 15p	P15040	P15540	P18040	P18540	P20040	P20540	P21040	P21540	P24040	P24540	P25040	P25540
0 to 30p	P15042	P15542	P18042	P18542	P20042	P20542	P21042	P21542	P24042	P24542	P25042	P25542
0 to 60p	P15046	P15546	P18046	P18546	P20046	P20546	P21046	P21546	P24046	P24546	P25046	P25546
0 to 100p	P15048	P15548	P18048	P18548	P20048	P20548	P21048	P21548	P24048	P24548	P25048	P25548
0 to 160p	P15052	P15552	P18052	P18552	P20052	P20552	P21052	P21552	P24052	P24552	P25052	P25552
0 to 200p	P15054	P15554	P18054	P18554	P20054	P20554	P21054	P21554	P24054	P24554	P25054	P25554
0 to 300p	P15058	P15558	P18058	P18558	P20058	P20558	P21058	P21558	P24058	P24558	P25058	P25558
0 to 400p	P15060	P15560	P18060	P18560	P20060	P20560	P21060	P21560	P24060	P24560	P25060	P25560
0 to 600p	P15064	P15564	P18064	P18564	P20064	P20564	P21064	P21564	P24064	P24564	P25064	P25564
0 to 1,000p	P15068	P15568	P18068	P18568	P20068	P20568	P21068	P21568	P24068	P24568	P25068	P25568
0 to 1,500p	P15074	P15574	P18074	P18574					P24074	P24574	P25074	P25574
0 to 2,000p	P15076	P15576	P18076	P18576					P24076	P24576	P25076	P25576
0 to 3,000p	P15078	P15578	P18078	P18578					P24078	P24578	P25078	P25578
0 to 5,000p	P15082	P15582	P18082	P18582					P24082	P24582	P25082	P25582
0 to 10,000p	P15090	P15590	P18090	P18590					P24090	P24590	P25090	P25590
0 to 15,000p	P15092	P15592	P18092	P18592					P24092	P24592	P25092	P25592
0 to 20,000p	P15094	P15594	P18094	P18594					P24094	P24594	P25094	P25594

Add "P" Suffix to P/N for Liquid Filling with Glycerine, add "PI" for Silicone. NOTE: Lower back mount Gauges are not fillable

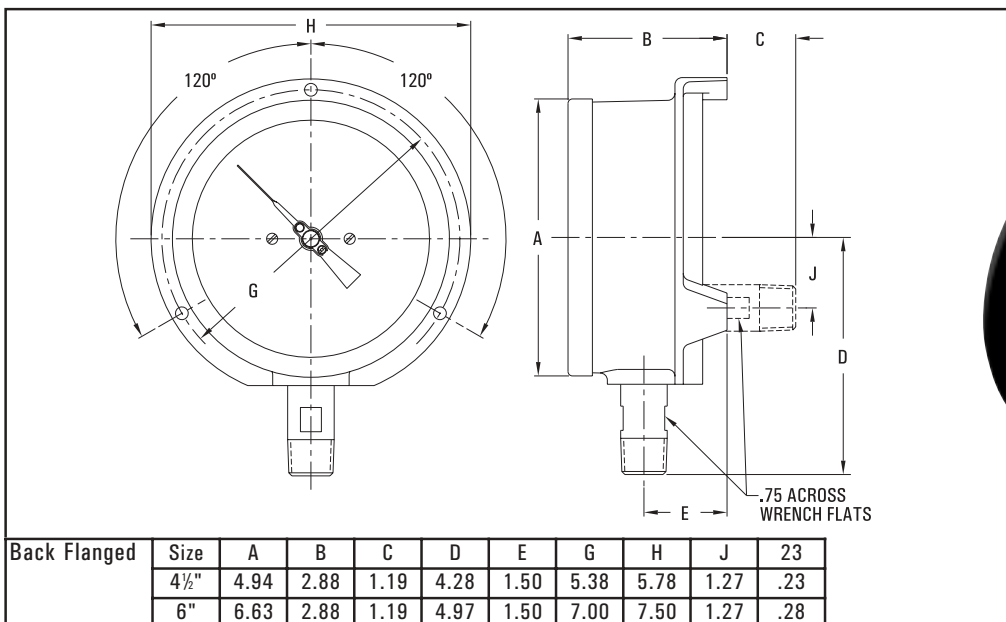
NOTE: Items are available on special order. However, minimums and lead times apply. Consult factory.



TURRET CASE

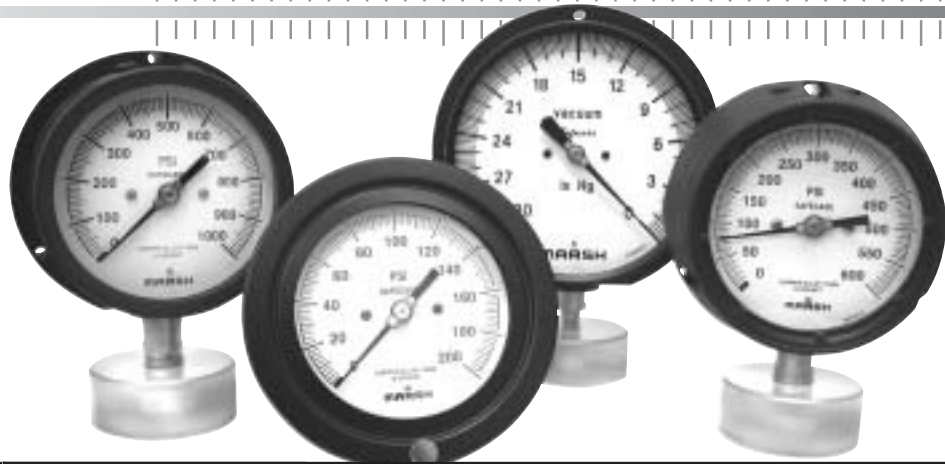


FRONT FLANGE CASE



BACK FLANGE CASE

Process Gauges



ALUMINUM CASE				
Dial Divisions	Process Gauge Series "P" 0.5% of Span			
Ranges	Figure Intervals	Minor Graduations		
Vacuum	3	0.2		
COMPOUND				
30" Hg VAC to 15 psi	5	3	0.5	0.2
30" Hg VAC to 30 psi	10	5	1	0.5
30" Hg VAC to 60 psi	10	10	1	0.5
30" Hg VAC to 150 psi	30	30	2	1
30" Hg VAC to 300 psi	30	30	5	2
PRESSURE				
0 to 15 psi	1	0.1		
0 to 30 psi	5	0.2		
0 to 60 psi	5	0.5		
0 to 100 psi	10	1		
0 to 160 psi	20	1		
0 to 200 psi	20	2		
0 to 300 psi	50	2		
0 to 400 psi	50	2		
0 to 600 psi	50	5		
HIGH PRESSURE				
0 to 1,000 psi	100	10		
0 to 1,500 psi	300	10		
0 to 2,000 psi	200	20		
0 to 3,000 psi	500	20		
0 to 4,000 psi	500	20		
0 to 5,000 psi	500	50		
0 to 6,000 psi	1,000	50		
0 to 10,000 psi	1,000	100		
0 to 15,000 psi	3,000	100		
0 to 20,000 psi	2,000	200		

PROCESS GAUGE OPTIONS			
OPTION	TYPE	SUFFIX	AVAILABLE ON MODELS
Restrictors	Add restrictor	H	All ranges
Fill Medium	Glycerin (GL)	P	4½" Lower Mount only (all ranges)
	Silicone option (SL)	PI	4½" Lower Mount only (all ranges)
Catalog Dials	bar only	L1	See Marsh Price List for minimum
	kg/cm ² only	L2	
	kPa only	L3	
	psi & bar	W1	
	psi & kg/cm ²	W2	
	psi & kPa	W3	
Window	Instrument Glass (GS)	F1	4½" & 6"
	Safety Glass (SG)	F3	4½" & 6"
Cases	Phenolic Turret (PH)	J1	4½"
	4½" Steel Case (LM or LBM)	J	4½" (Adjustable pointer only)
	6" Hinged Ring Steel Case with U-Clamp	J	6" (Adjustable pointer only)
Custom Dials	Logo or Custom Face	M	Consult factory for colors and minimums.

NOTE: 4½" Lower back mount, 6" Lower mount and 6" Lower back are not fillable (only available dry).



Diaphragm Gauges

- Dial Sizes: 2½", 3½", 4½"
- Four Case Styles
- Accuracy: ASME B40.1 - 2/12%

Marsh Instruments Low Pressure Diaphragm Gauges are universally known for their dependable performance and accuracy. Incorporating a unique design feature, the diaphragm element allows accurate low pressure readings in a variety of applications. Featuring a bronze diaphragm element, the gauge is capable of ASME Grade A-1% accuracy for ranges above 30" of water. Ranges are available in vacuum and pressure in inches of water, ounces per square inch and millimeters of mercury.



STANDARD RANGES & PART NUMBERS

TYPE		DIAPHRAGM GAUGES									
Size	2½"									3½"	4½"
Pressure Element	Phosphor Bronze										
Dual Standard Scale	psi/kPa										
Case	LM	LM	U	U	CB	CB	FF	LM	LM		
Mounting	¼"	⅜"	¼"	⅜"	¼"	⅜"	¼"	¼"	¼"		
0 to 10" H ₂ O	G22675	G22711	G11181	G11248	G22747	G27110	G11578	G24608	G25756		
0 to 15" H ₂ O	G24500	G24503	G11246	G11313	G26504	G30237	G11642	G24631	G25981		
0 to 30" H ₂ O	G22704	G22740	G11189	G11256	G22776	G11652	G11586	G24625	G25749		
0 to 60" H ₂ O	G22705	G22741	G11208	G11314	G22777	G11671	G11605	G24626	G25844		
0 to 100" H ₂ O	G22687	G22723	G11217	G11284	G22759	G11675	G11609	G24613	G25982		
0 to 160" H ₂ O	G22695	G22731	G11232	G11299	G22767	G11695	G11628	G24617	G25980		
0 to 200" H ₂ O	G22696	G22732	G11233	G11300	G22768	G11696		G24618	G26021		
0 to 300" H ₂ O	G22697	G22733	G11236	G11303	G22769	G11699		G24619	G25755		
0 to 3 psi	G22685	G22721	G11215	G11282	G22757	G11678	G11612	G24612			
0 to 5 psi	G22702	G22738	G10623	G11310	G22774	G22810	G10619	G24624	G26018		
0 to 10 psi	G22699	G22735	G11239	G11306	G22771	G11702	G11635	G24621	G25754		
0 to 10 oz/in ²	G22677	G22713	G11186	G11253	G22749	G11649	G11583	G24609			
0 to 15 oz/in ²	G22680	G22716	G11194	G11261	G22752	G11657	G11591	G24610	G25753		
0 to 30 oz/in ²	G24501		G11206	G11273	G24504	G11669	G11603	G24632	G25750		
0 to 60 oz/in ²	G22684	G22720	G11213	G11280	G22756	G11676	G11610	G24611	G25757		
0 to 100 oz/in ²	G22691	G22727	G11226	G11293	G22763		G11622	G24615	G26025		
0 to 160 oz/in ²	G26062		G11237	G11304		G11700	G11633	G26894			
8.75 oz/in ² and 15" H ₂ O	G22706	G22742	G11185	G11252	G22778	G11648	G11582	G24627			
20 oz/in ² and 35" H ₂ O	G22709	G22745	G11200	G11267	G22781	G11663	G11597	G24629	G25748		
32 oz/in ² and 55" H ₂ O	G22707	G22743	G11195	G11262	G22779	G11658	G11592	G24628	G25984		
58 oz/in ² and 100" H ₂ O	G22710	G22746	G11214	G11281	G22782	G22947	G11611	G24630			
0 to 15" H ₂ O VAC	G22912		G11873	G11906	G22942	G12104	G12071	G24708	G26023		
0 to 30" H ₂ O VAC	G22914	G29804	G11876	G11909	G22944	G12107	G12074	G24709	G26020		
0 to 60" H ₂ O VAC	G22918		G11884	G11917	G22948	G12115	G12082	G24710	G26020		
0 to 100" H ₂ O VAC	G24502	G26962	G11885	G11918	G22949	G12116	G12083	G24716	G26016		
0 to 200" H ₂ O VAC	G22921		G11892	G11925	G22951	G12123	G12090	G24711	G26019		

NOTE: Items are available on special order. However, minimums and lead times apply. Consult factory.

DIAPHRAGM GAUGE

SPECIFICATIONS

ACCURACY
For ranges 30" H₂O & above:
ASME Grade A = ±2/12% (±1% of range across middle half of scale). For ranges below 30" H₂O: ±3/13% (±1% of range across middle half of scale)

CASE SIZES
2½", 3½", 4½" diameter

CASE MATERIAL
Drawn steel pretreated for rust resistance and black enamel finish

CASE STYLE
LM – Lower Mount
CB – Center Back Mount
UC – U-Clamp Mount
FF – Three-holed Front Flanged Mount

DIAPHRAGM & SOCKET
Phosphor bronze diaphragm soft-soldered to brass socket

MOVEMENT
Brass sector and pinion with polycarbonate top & bottom plates

CONNECTION
¼" & ⅜" NPT

DIAL STANDARD
Dual Scale with kPa
Triple Scale: oz/in², in H₂O, & kPa

DIAL COLOR
Black markings on white

POINTER
Aluminum, black painted

WINDOW
2½" & 3½": twist-on Clearlok acrylic window.
4½": flat acrylic window with steel friction ring

RESTRICTOR
0.013" standard. No restrictor on 0 to 10" H₂O range

Diaphragm Gauges

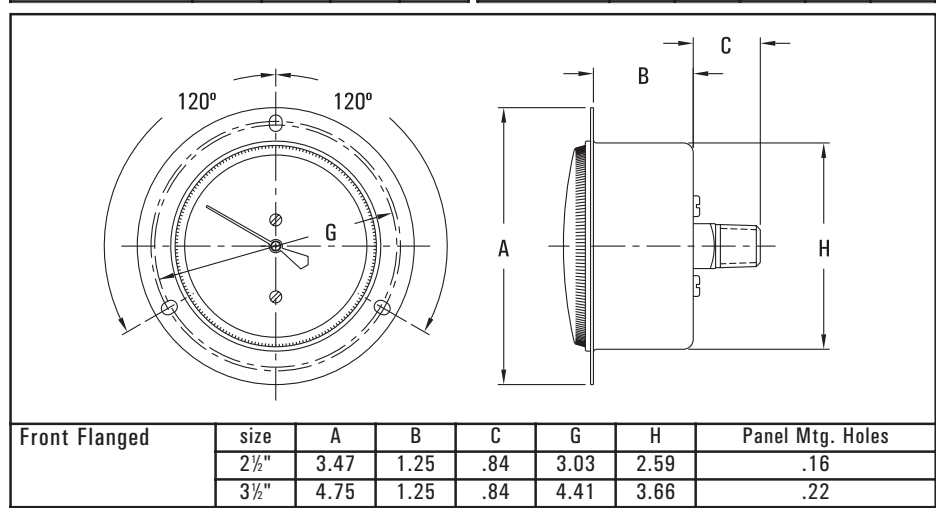
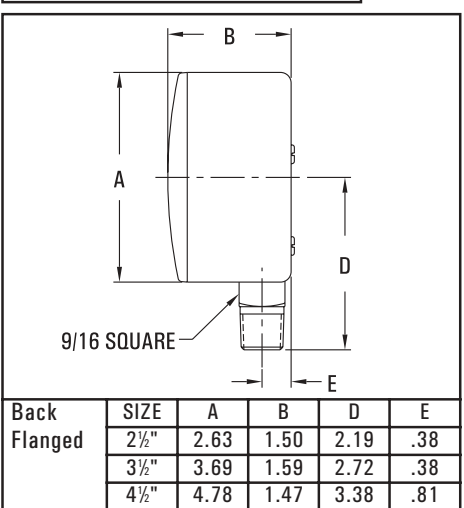
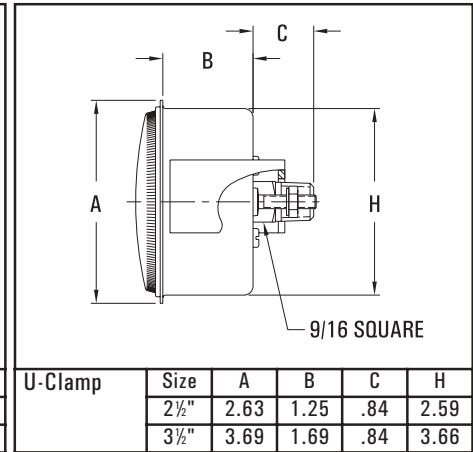
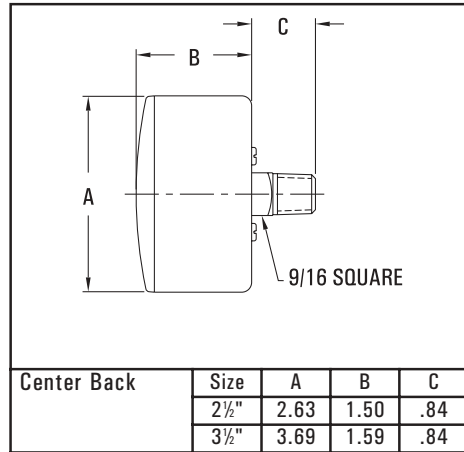


DIAPHRAGM GAUGE SERIES 'G'



DIAPHRAGM GAUGE OPTIONS

OPTION	TYPE	SUFFIX	AVAILABLE ON MODELS
Window	Acrylic (knurled edge)		all models
Restrictors	.008 Restrictor		all models
	.016 Restrictor		
	.018 Restrictor		
	.025 Restrictor		
Ring	Press ring, chrome		2½" to 3½" Panel Mount
Ring / Window	Glass & Black Steel Ring		2½" to 3½" all models
Cases	Stainless Steel		2½"- Panel Mount
	Brass		2½"- Lower Mount or Centerback
	Chrome plated		Lower Mount or Centerback
3½" Case	Center Back (CB)		3½"
	U-Clamp (UC)		3½"
Connections	Hose Barb (½" OD & ¼" OD)		All models (10 pc. minimum)
Compound Ranges	Vacuum & Pressure with front zero adjustment		All models (10 pc. minimum)
Custom Dials	Logo or custom face	M	Consult factory for colors and minimums.





Diaphragm Gauges

VACUUM CLEANER TEST GAUGE

- Includes 2½" dial size gauge
- Dual Scale: in. H₂O & kPa vacuum
- Complete with rubber plug to fit vacuum cleaner intake opening

Type	82K
Range	Part No.
0 to 60" H ₂ O	G32426
0 to 100" H ₂ O	G24505
0 to 160" H ₂ O	G25759
0 to 200" H ₂ O	G26098



VACUUM CLEANER TEST

GAS PRESSURE TEST SET

- Includes 2½" dial size gauge
- Triple Scale: Oz./in², in. H₂O & kPa
- Provided in grey polyethylene case with 3 ft. of rubber tubing

Type		84K
Range		Part No.
0 to 8.75 oz/in ²	0 to 15" H ₂ O	G28145
0 to 20 oz/in ²	0 to 35" H ₂ O	G24507
0 to 58 oz/in ²	0 to 100" H ₂ O	G27038



GAS PRESSURE TEST

**Special Medical Gauges Available,
Consult Factory
800-727-5646**



part of the process!

800-727-5646 • www.marshbelloram.com

HVAC/R Gauges



- Recalibrator and Restrictor Standard
- Heavy Duty Brass Case
- Clam Shell Packaging Optional

Marsh Instruments Deluxe Serviceman Test Gauge is designed to assure the modern serviceman the best possible gauge for testing refrigeration equipment. Corresponding, easy-to-read temperature scales for R-12, R-22 or R-502 are printed in red on the inner arcs of the dial face.

STANDARD RANGES & PART NUMBERS

SERVICEMAN TEST GAUGE	SERVICEMAN'S TEST GAUGE			
SPECIFICATIONS	Size	2½"		
ACCURACY ASME Grade B - ±3/2/3% (±2% of range across middle half of scale)	Mounting	LM		
CASE SIZE 2½" diameter	Connection (NPT)	½"		
CASE MATERIAL Polished brass	Case Material	Brass		
CASE STYLE LM - Lower Mount	Internals	Copper Alloy		
TUBE & SOCKET Copper Alloy	Scale	Temperature & Pressure		
MOVEMENT Brass sector and pinion with recalibrator	30" X 350 psi	W0070	R-12, 22, 502	Carton
CONNECTION ½" NPT	30" X 350 psi	W0070Q	R-12, 22, 502	Clam Shell
RANGES 0-500 psi, 30" Hg VAC to 120 psi retarded to 350 psi	0 to 500 psi	W0072	R-12, 22, 502	Carton
DIAL STANDARD psi with corresponding temperature scales	0 to 500 psi	W0072Q	R-12, 22, 502	Clam Shell
DIAL COLOR Black markings on white with red temperature scales	Set of (2) W0070 & W0072	W0074	R-12, 22, 502	Carton Only
POINTER Aluminum, black painted	30" X 350 psi	W8070	R-134a, 404A, 507	Carton
WINDOW Beveled glass	30" X 350 psi	W8070Q	R-134a, 404A, 507	Clam Shell
PACKAGING Optional clam shell packed gauges are on 4¼" x 6½" cards, prepunched for pegboard hanging	0 to 500 psi	W8072	R-134a, 404A, 507	Carton
	0 to 500 psi	W8072Q	R-134a, 404A, 507	Clam Shell

- Recalibrator and Restrictor Standard
- Color Coded Cases, "Reds" & "Blues"
- Overpressure Protection to 350 psi



Marsh Instruments Manifold Gauges are used in refrigeration applications for testing, servicing, and recharging AC Systems. Dials feature R-12, R-22, and R-502.



STANDARD RANGES & PART NUMBERS

TYPE		HIGH-SIDE & LOW-SIDE MANIFOLD GAUGES		
Size	2½"			
Mounting	LM			
Connection (NPT)	½"			
Case Material	Steel			
Internals	Copper Alloy			
Scale	Temperature & Pressure			
30" X 350 psi	W0011	R-12, 22, 502	Blue	Carton
30" X 350 psi	W0011Q	R-12, 22, 502	Blue	Clam Shell
0 to 500 psi	W0023	R-12, 22, 502	Red	Carton
0 to 500 psi	W0023Q	R-12, 22, 502	Red	Clam Shell
30" X 350 psi	W8011	R-134a, 404A & 507	Blue	Carton
30" X 350 psi	W8011Q	R-134a, 404A & 507	Blue	Clam Shell
0 to 500 psi	W8023	R-134a, 404A & 507	Red	Carton
0 to 500 psi	W8023Q	R-134a, 404A & 507	Red	Clam Shell

MANIFOLD GAUGE

SPECIFICATIONS

ACCURACY
ASME Grade B - ± 3/2/3% (2% of range across middle half of scale)

CASE SIZE
2½" diameter

CASE MATERIAL
Drawn steel, pretreated for rust resistance, red or blue enamel finish

TUBE & SOCKET
Copper alloy

MOVEMENT
Brass sector and pinion with recalibrator

CONNECTION
½" NPT

RANGES
0-500 psi, 30" Hg VAC to 120 psi retarded to 350 psi

DIAL STANDARD
psi with corresponding temperature scales

DIAL COLOR
Black markings on white with red temperature scales

POINTER
Aluminum, black painted

WINDOW
Impact resistant plastic

PACKAGING
Optional clam shell packed gauges are on 4¼" x 6¾" cards, prepunched for pegboard hanging

HVAC/R Gauges



- Range 30" Hg to 150 psi or 300 psi
- Case Sizes: 63mm and 3 1/2"
- ASME Grade B

Marsh Refrigeration Ammonia Gauges are designed for use on ammonia compressors and other ammonia refrigeration equipment. Marsh Ammonia Gauges include a restrictor that protects the gauge against sudden shock or pulsating pressure. The inner dial arc shows pressure (psi/kPa), outer arc shows the corresponding temperature scale. Marsh Refrigeration Ammonia Gauges are available in plain stainless steel case.

STANDARD RANGES & PART NUMBERS

REFRIGERATION AMMONIA
SPECIFICATIONS
ACCURACY ASME Grade B – ± 3/2/3% (± 2% of range across middle half of scale)
CASE SIZES 63mm and 3 1/2" diameter
CASE MATERIAL 304 Stainless steel
CASE STYLE LM – Lower Mount
TUBE & SOCKET Stainless steel
MOVEMENT Brass sector and pinion
CONNECTION 1/4" NPT
RANGES Compound 30" Hg Vac to 150 psi or 30" Hg Vac to 300 psi
DIAL STANDARD Dual scale psi and kPa with corresponding Ammonia temperature scales
DIAL COLOR Black markings on white
POINTER Aluminum, black painted
WINDOW Polycarbonate
RESTRICTORS Standard
PACKAGING Optional clam shell packed gauges are on 4 1/2" X 6 1/2" cards, prepunched for pegboard hanging

TYPE		REFRIGERATION AMMONIA HVAC/R GAUGES	
Case Material	Stainless Steel		
Internals	Stainless Steel		
Size	63mm	3 1/2"	
Mounting / Case Style	LM		
Connection (NPT)	1/4"		
30" Hg VAC to 150psi	W0104	W0112	
30" Hg VAC to 150psi	W0104Q		
30" Hg VAC to 300psi	W0108	W0116	
30" Hg VAC to 300psi	W0108Q		

NOTE: Items are available on special order. However, minimums and lead times apply. Consult factory.

REFRIGERATION AMMONIA GAUGE OPTIONS			
OPTION	TYPE	SUFFIX	
Fill Medium	Glycerin (GL)	P	All Models
	Silicone (SL)	PI	All Models
Custom Dials	Logo or Custom face	M	Consult factory for colors and minimums

- Color Coded Dial
- Adjustable Pointer Standard

Marsh Refrigeration Gauges are designed specifically for use on refrigeration systems. Gauges are sturdily constructed and tested to give long, continuous, accurate service. In addition to the standard pressure or compound scale, dials also show the corresponding temperature scales for R-12, R-22, and R-502, in the various combinations shown in the chart below. Dial markings are sharp, clear and easy to read. Pressure and vacuum scales are printed in red.



STANDARD RANGES & PART NUMBERS

TYPE		REFRIGERATION GAUGES	
Case Material	Plain Case		
Size	2½"	3½"	
Connection (NPT)	⅜"	¼"	
Mounting	LM	LM	
R-12			
30" Hg VAC 150psi	W0002	W0030	
0 to 300psi	W0016	W0034	
R-22			
30" Hg VAC to 150psi		W0032	
R-12 & R-22			
30" Hg VAC 150psi		W0004	
30" Hg VAC 300psi		W0012	
0 to 300psi		W0018	

NOTE: Items are available on special order. However, minimums and lead times apply. Consult factory.

REFRIGERATION GAUGE

SPECIFICATIONS

ACCURACY

ASME Grade B – ±3/2/3% (2% of range across middle half of scale)

CASE SIZES

2½" and 3½" diameter

CASE MATERIAL

Drawn steel, pretreated for rust resistance, black enamel finish

CASE STYLE

LM – Lower Mount

TUBE & SOCKET

Copper alloy

MOVEMENT

Brass sector and pinion

CONNECTION

⅜" or ¼" NPT

RANGES

Compound 30" Hg Vac to 150 psi, 30" Hg Vac to 300 psi, 0 to 300 psi

DIAL STANDARD

psi with corresponding temperature scales

DIAL COLOR

Black markings on white with red temperature scales

POINTER

Aluminum, black painted, Adjustable

WINDOW

Acrylic Clearlok

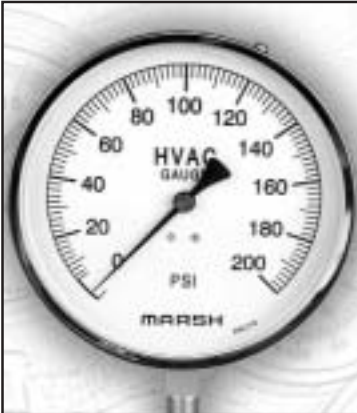
RESTRICTORS

Standard

OPTIONS

Consult factory

HVAC/R Gauges



- 4½" Dial
- Polished Stainless Steel Case
- Adjustable Pointer
- 1% Accuracy

Marsh Instruments Contractor's HVAC Service Gauge is a newly redesigned gauge with a long-life movement to meet the needs of contractors in air conditioning, heating, plumbing and refrigeration. This rugged and reliable gauge is economically priced and offers many features normally found on more expensive gauges such as adjustable pointer, acrylic lens and polished stainless steel case.

STANDARD RANGES & PART NUMBERS

CONTRACTOR'S GAUGE "W"	TYPE	CONTRACTOR'S HVAC GAUGES
SPECIFICATIONS	Size	4½"
ACCURACY	Internals	Copper Alloy
ASME Grade A - ±2/1/2% (1% of range across middle half of scale)	Mounting / Case Style	LM
CASE SIZE	Connection (NPT)	¼"
4½" diameter	Case Material	Polished Stainless Steel
CASE MATERIAL	30" Hg VAC to 30psi	W0480
Polished stainless steel	30" Hg VAC to 160psi	W0487
CASE STYLE	0 to 30psi	W0481
LM - Lower Mount	0 to 60psi	W0483
TUBE & SOCKET	0 to 100psi	W0484
Copper alloy	0 to 160psi	W0486
MOVEMENT	0 to 200psi	W0488
Brass sector and pinion	0 to 300psi	W0490
CONNECTION	0 to 600psi	W0492
¼" NPT		

CONTRACTOR GAUGE OPTIONS			
OPTION	TYPE	SUFFIX	AVAILABLE ON MODELS
Restrictors	Push Fit .008 or .018	H	all models
Catalog dials	psi and kPa	W3	all models
All other dials - consult factory for lead time			25 Piece minimum

CONNECTION	¼" NPT
RANGES	Compound 30" Hg Vac to 160 psi; 30 to 600 psi
DIAL STANDARD	Single scale psi
DIAL COLOR	Black markings on white
POINTER	Aluminum, black painted, adjustable
WINDOW	Acrylic



- Adjustable Set Hand
- Ranges to 300 psi and 690 Feet of Water
- 3½" and 4½" Dials

Marsh Instruments Heating System Gauges provide accurate psi and feet-of-water measurements in elevated tanks, reservoirs, standpipes, and similar applications where reliability and dependability are crucial in heating system equipment.



STANDARD RANGES & PART NUMBERS

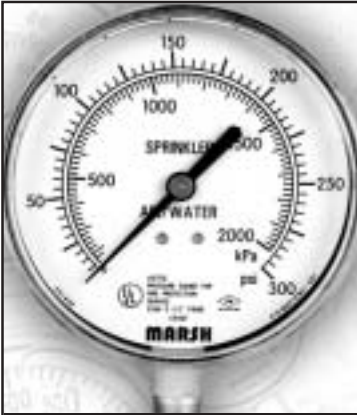
HEATING SYSTEM HVAC/R GAUGES			HEATING SYSTEM SERIES "W"
Size	3½"	4½"	SPECIFICATIONS ACCURACY 3½" ASME Grade B – ±3/2/3% (2% of range across middle half of scale) 4½" ASME Grade A – ±2/1/2% (1% of range across middle half of scale) CASE SIZE 3½" and 4½" diameter CASE MATERIAL 3½": Drawn steel pretreated for rust resistance, black enamel finish 4½": Aluminum back flange case, black enamel finish CASE STYLE LM – Lower Mount TUBE & SOCKET Copper alloy MOVEMENT 3½": Brass sector & pinion 4½": Stainless steel CONNECTION ¼" NPT RANGES Single Scale 30 to 70 ft. H ₂ O Dual Scale 100 to 300 psi and 230 to 690 ft. H ₂ O DIAL STANDARD psi, ft. H ₂ O and metric DIAL COLOR Black markings on white POINTER Aluminum, black painted with red set hand WINDOW 3½": Acrylic Clearlok 4½": Instrument Glass
Mounting / Case Style	LM	LM	
Connection (NPT)	¼"	¼"	
0 to 30 ft H ₂ O		W0456	
0 to 70 ft H ₂ O	W0450	W0457	
0 to 100psi and 0 to 230 ft H ₂ O	W0451	W0458	
0 to 150psi and 0 to 345 ft H ₂ O		W0459	
0 to 160psi and 0 to 370 ft H ₂ O	W0452		
0 to 200psi and 0 to 460 ft H ₂ O	W0453		
0 to 300psi and 0 to 690 ft H ₂ O	W0454	W0460	

NOTE: Items are available on special order. However, minimums and lead times apply. Consult factory.

STOCK OPTIONS

OPTION	TYPE	SUFFIX	AVAILABLE ON MODELS
Restrictors	Special Restrictor	H	All models
Custom Dials	Logo or Custom face	M	Consult factory for colors and minimums

Special Applications



- Polished Brass Case
- Dials Marked AIR/WATER
- UL Listed and FM Approved

Marsh Sprinkler Gauges offer outstanding dependability, and value. The Marsh Sprinkler Gauge is available in both dial ranges, 0 to 300 psi, and 0 to 80 retarded to 250 psi. Both ranges are available with the dial marked AIR or WATER for instant line identification by inspection and maintenance personnel.

STANDARD RANGES & PART NUMBERS

SPRINKLER GAUGE	TYPE	SPRINKLER GAUGES
SPECIFICATIONS	Size	3 1/2"
ACCURACY	Mounting / Case Style	LM
ASME Grade B - ± 3/2/3% (± 2% of range across middle half of scale)	Connection (NPT)	1/4"
CASE SIZES	Internals	Copper Alloy
3 1/2" diameter	Case Material	Brass
CASE MATERIAL	0 to 300psi WATER	W0410
Polished brass	0 to 80/250 (Retard) AIR	W0413
CASE STYLE		
LM - Lower Mount		
TUBE & SOCKET		
Copper alloy		
MOVEMENT		
Brass		
CONNECTION		
1/4" NPT		
RANGES		
0 to 300 psi and 0 to 80 psi Retard to 250 psi		
DIAL STANDARD		
Dual scale psi and kPa		
All dials are marked AIR/WATER		
DIAL COLOR		
Black markings on white		
POINTER		
Aluminum, black painted		
WINDOW		
Impact resistant plastic		

SPRINKLER GAUGE OPTIONS

OPTION	TYPE	SUFFIX	AVAILABLE ON MODELS
Custom Dials	Logo or Custom face	M	Consult factory for colors and minimums



- Connects Directly to Standard Water Faucet or Hose
- Measures Commercial & Residential Water Pressure
- Dual Scale Dial is Standard

M Marsh Water Test Gauge is designed to connect directly to a standard 3/4" water faucet or hose. It is used to measure residential and commercial water pressure, also for selection and adjustment of valves, regulators, and other controls.



STANDARD RANGES & PART NUMBERS

WATER TEST GAUGE	
Size	2 1/2"
Connection	Top hosebib
Range	0 - 300 psi & kPa
Part Number	G24545

WATER TEST GAUGE

SPECIFICATIONS
ACCURACY ASME Grade B - ±3/2/3% (±2% of range across middle half of scale)
CASE SIZES 2 1/2" diameter
CASE MATERIAL Drawn steel case with baked black enamel finish
CASE STYLE Top mount
TUBE & SOCKET Copper alloy
MOVEMENT Brass sector and pinion with
CONNECTION 3/4" - 1 1/2" NH Female hosebib
RANGES 0 to 300 psi
DIAL STANDARD Dual scale psi and kPa
DIAL COLOR Black markings on white
POINTER Aluminum, black painted
WINDOW Acrylic
OPTIONS Other ranges are available - 25 piece minimum, Consult factory

Special Applications



- Hinged Ring Chrome Plated Steel Case
- Protective Weather Tight Seal
- Restrictor is Standard

Marsh Instrument Chrome Plated Paper Machine Gauges are available in nine ranges and fit existing panel cutouts. The heavy duty case features a front flanged/ hinged ring design which allows easy access to the recalibrator and a weep hole that prevents condensation buildup. A restrictor is standard. The Marsh Paper Machine Gauge is available in 3½" size only. Each gauge has a weather-tight seal to protect against dust and atmospheric contaminants.

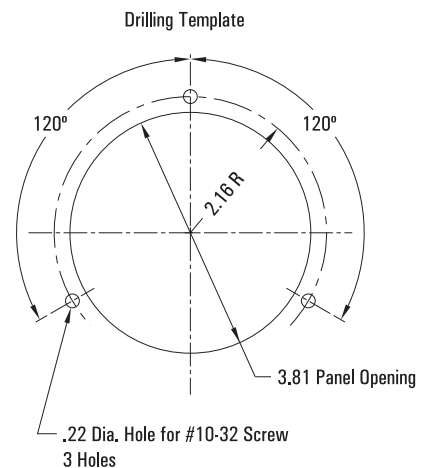
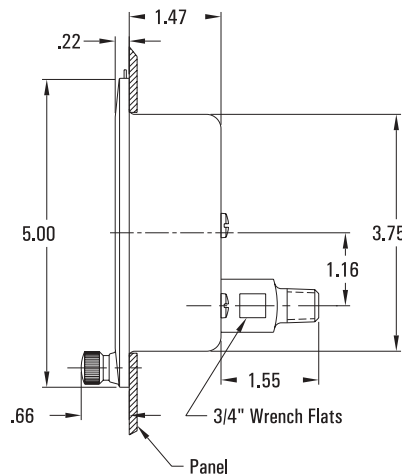
STANDARD RANGES & PART NUMBERS

PAPER MACHINE GAUGES	TYPE	PAPER MACHINE GAUGES
SPECIFICATIONS	Size	3½"
ACCURACY	Mounting / Case Style	LBM
ASME Grade A - ± 2 1/2% (± 1% of range across middle half of scale)	Internals	Copper Alloy
CASE SIZES	Connection (NPT)	¼"
3½" diameter	Scale Standard	psi
CASE MATERIAL	0 to 30psi	W6042
Chrome plated steel	0 to 60psi	W6046
CASE STYLE	0 to 100psi	W6048
LBM - Lower Back Mount	0 to 160psi	W6052
TUBE & SOCKET	0 to 200psi	W6054
Copper alloy	0 to 300psi	W6058
MOVEMENT	0 to 400psi	W6060
Stainless Steel with recalibrator	0 to 600psi	W6064
CONNECTION	0 to 1,000psi	W6072
¼" NPT		
RANGES		
30 to 1,000 psi		
DIAL STANDARD		
Single scale psi		
DIAL COLOR		
Black markings on white		
POINTER		
Aluminum, black painted		
WINDOW		
Glass lens, chrome plated brass ring with weather-tight seal		
RESTRICTOR		
Standard		

PAPER MACHINE GAUGE OPTIONS

OPTION	TYPE	SUFFIX	AVAILABLE ON MODELS
Restrictor	Special Restrictor	H	
	No restrictor	H1	
Catalog Dials	bar only	L1	See Marsh Price List for minimum
	kg/cm ² only	L2	
	kPa only	L3	
	psi & bar	W1	
	psi & kg/cm ²	W2	
	psi & kPa	W3	
Custom Dials	psi & MPa	W4	
	Logo or custom face	M	Consult factory for colors and minimums

Paper Machine Gauge Dimensions

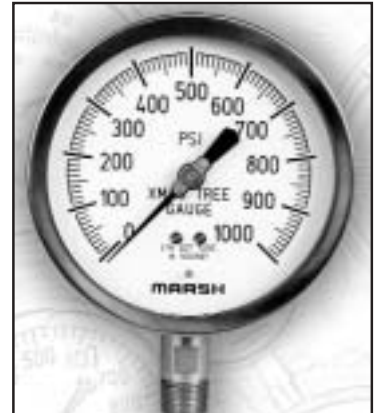




Special Applications

- Accuracy $\pm 1\%$
- Polished Stainless Steel Case
- Ranges to 10,000 psi
- Adjustable Micrometer Pointer

Marsh Instruments has been on top of Xmas Trees and well-heads much longer than any other name. Marsh offers the same high-performance gauge for replacement. Other gauge manufacturers can state Xmas Tree Gauge on their products but only Marsh Instruments can offer you all the special features, and dependability, that you expect! Features include a polished stainless steel case with stainless steel tube, tip, and socket, and an easy to adjust micrometer pointer.



STANDARD RANGES & PART NUMBERS

TYPE	X-TREE GAUGE
Size	4½"
Mounting / Case Style	LM
Connection (NPT)	½"
Case Material	Stainless Steel
Internals	Stainless Steel
Scale Standard	psi
0 to 1,000psi	W0574
0 to 1,500psi	W0578
0 to 2,000psi	W0582
0 to 3,000psi	W0586
0 to 5,000psi	W0590
0 to 10,000psi	W0594

X-MAS TREE GAUGE

SPECIFICATIONS

ACCURACY
ASME Grade 1A – $\pm 1\%$ ($\pm 1\%$ of range across full scale)

CASE SIZES
4½" diameter

CASE MATERIAL
Polished stainless steel

CASE STYLE
LM – Lower Mount
with blowout plug

TUBE & SOCKET
Stainless Steel

MOVEMENT
Stainless Steel

CONNECTION
½" NPT

RANGES
1,000 to 10,000 psi


DIAL STANDARD
Single scale psi


DIAL COLOR
Black markings on white

POINTER
Aluminum, adjustable micrometer,
black painted

WINDOW & RING
Acrylic window with bayonet ring



PART#	DESCRIPTION
	
GAUGE COCK AND SYPHONS	
111025	1/4" F x 1/4" F Brass Gauge Cock (T-Handle #123)
111028	1/4" M union x 1/4" F Brass Gauge Cock (Lever Handle #125)
111029	1/4" M x 1/4" M Steel Straight Syphon (600psi @ 400°F)
111030	1/4" M x 1/4" M Brass Straight Syphon (250psi @ 400°F)
111031	1/4" M x 1/4" M Steel Angle Type Syphon (600psi @ 400°F)
111032	1/4" M x 1/4" M Brass Angle Type Syphon (250psi @ 400°F)
CLEARLOK (ACRYLIC) CONVEX WINDOW INTERNAL THREAD "G" Series Fig. 83 Diaphragm Gauges	
124602	2 1/2" for 83K & 83KC
127985	2 1/2" for 83KB & 83KD
125448-001	3 1/2" for all models (knurled edge)
CLEARLOK (ACRYLIC) WINDOWS (INTERNAL THREAD) "J" SERIES	
W15CL	1 1/2" for LM or CB
W20CL	2" for LM or CB
W20CLUC	2" for U-Clamp or Front Flange
W25CL	2 1/2" for LM or CB
W25CLUC	2 1/2" for U-Clamp or Front Flange
W35CL	3 1/2" for LM or CB
W35CLUC	3 1/2" for U-Clamp or Front Flange
RESTRICTOR SCREWS A) 1/8" & 1/4" NPT Threaded Brass 8-40	
100116-008	AIR (.008)
100116-013	WATER (.013)
100116-016	OIL (.016)
RESTRICTOR SCREWS LARGE DIAL (D, E, H, & P) B) 1/4" & 1/2" NPT Threaded Brass M5 X 0.8	
RES008BRLD	AIR (.008)
RES013BRLD	WATER (.013)
RES016BRLD	OIL (.016)
RESTRICTOR SCREWS LARGE DIAL (D, E, H, & P) C) 1/4" & 1/2" NPT Threaded 316 SST M5 X 0.8	
RES018SSLD	All Apps. (.018)
RESTRICTOR SCREWS SERIES J, W, & X D) 1/8", 1/4" & 1/2" NPT Push-In Brass	
RES018PB	"Standard" (.018)
RES013PB	AIR (.013)
RES025PB	WATER (.025)
RES040PB	OIL (.040)
RESTRICTOR SCREWS SERIES J, W, & X E) 1/8", 1/4" & 1/2" Push-In 316 SST	
RES018PBSS	"Standard" (.018)

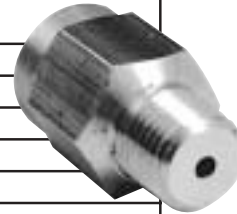
PART#	DESCRIPTION
FRONT FLANGE (3-HOLE) CASE & WINDOW ASS'Y FOR BACK CONNECT (CB) "J" Series Gauge	
CS25FF	2 1/2" Front Flange Case
W25CLUC	2 1/2" Window Assembly
CS35FF	3 1/2" Front Flange Case
W35CLUC	3 1/2" Window Assembly
LIQUID FILL CONVERSION KIT	
9-79999-93	Liquid Fill Kit
127656	Silicone, 1000 cs, 1 quart
133426	Glycerin, 1 quart
	
MAX. HAND ASSEMBLY WITH THUMB SCREW	
128300-001	2" Steel Case (J)
128300-004	2 1/2" Steel Case (J)
128300-005	3 1/2" Steel Case (J&W)
128311-001	3 1/2" Large Dial (H)
128311-002	4 1/2" Large Dial (D, H, & P)
	
HAND JACK & DUPLEX HAND JACK	
110983	Duplex Hand Jack/Driver Set
110985	Hand Jack (Pointer Remover)
ADJUSTABLE (SLOTTED) POINTER	
PTR20ADJ	Adjustable Pointer - 2"
PTR25ADJ	Adjustable Pointer - 2 1/2"
PTR35ADJ	Adjustable Pointer - 3 1/2"
PTR45ADJ	Adjustable Pointer - 4 1/2"
MICROMETER POINTER, LARGE DIAL SERIES	
PTRP45	4 1/2" Dial (D, H & P)
PTRP60	6" Dial (D, H & P)



PART#	DESCRIPTION
SEVERE SERVICE GAUGE ACCESSORIES	
127794	Adapter ring, 63mm to 2½"
Flange63	Front Flange for 63mm: C Case
Flange100	Front Flange for 100mm: C Case
CERTIFICATION FORMS	
134476	Material Certification
134477	Certificate of Conformance
134478	Certificate of Compliance
134479	Certificate of Origin
134480	Certificate of Calibration
134481	Certificate of Accuracy



PART#	DESCRIPTION	MEDIA	MAXIMUM PRESSURES
INDUSTRIAL PRESSURE SNUBBERS			
S20BD	1/4" NPT, Brass	Heavy Oil	10,000 PSI
S20BE	1/4" NPT, Brass	Water & Light Oil	10,000 PSI
S20BG	1/4" NPT, Brass	Air & Gases	10,000 PSI
S20SD	1/4" NPT, 316SS	Heavy Oil	15,000 PSI
S20SE	1/4" NPT, 316SS	Water & Light Oil	15,000 PSI
S20SG	1/4" NPT, 316SS	Air & Gases	15,000 PSI
S40BD	1/2" NPT, Brass	Heavy Oil	10,000 PSI
S40BE	1/2" NPT, Brass	Water & Light Oil	10,000 PSI
S40BG	1/2" NPT, Brass	Air & Gases	10,000 PSI
S40SD	1/2" NPT, 316SS	Heavy Oil	15,000 PSI
S40SE	1/2" NPT, 316SS	Water & Light Oil	15,000 PSI
S40SG	1/2" NPT, 316SS	Air & Gases	15,000 PSI



Diaphragm Seals



Diaphragm seals are isolation devices which separate pressure gauges and other instruments from the process media while allowing the instrument to measure the process pressure. The service life of the instrument is greatly extended, because it is protected from corrosion, clogging, freezing, or pulsation.

Liquid Fillings

The selection of the fill depends on the temperature expected in any given application. Temperature ratings for available fillings are listed below.

Glycerine	0 to 400°F
Silicone	-40 to 600°F
Syltherm	-40 to 750°F

12000 DIAPHRAGM SEAL

MODEL 12000 MINI SERVICEABLE RUBBER DIAPHRAGM SEAL

The Model 12000 Serviceable Mini Diaphragm Seal is designed for gauges and instruments with operating pressure of 2500 psi with stainless and 500 psi with PVC models. Ideally suited for small applications and corrosive installations. The optional 'Easy Clean Out' feature allows the removal of the process side housing without losing the instrument side fill fluid. Fill / bleed screw port in the instrument side housing, and stainless steel build screws are standard.

FILLED AND CALIBRATED TO GAUGES ONLY.

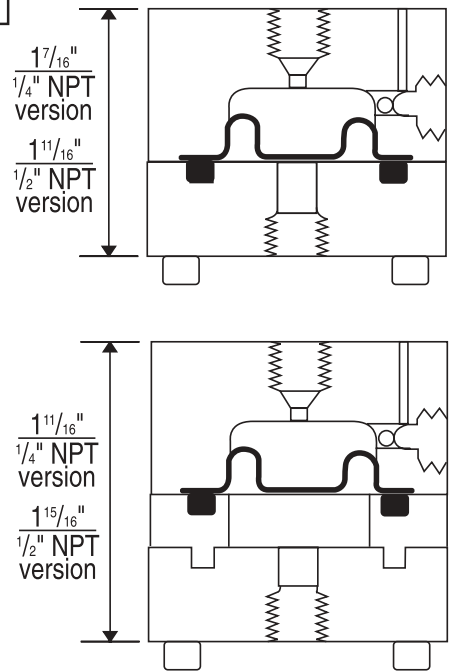


MODEL B8498 GAUGE PROTECTOR WITH RUBBER DIAPHRAGM SEAL

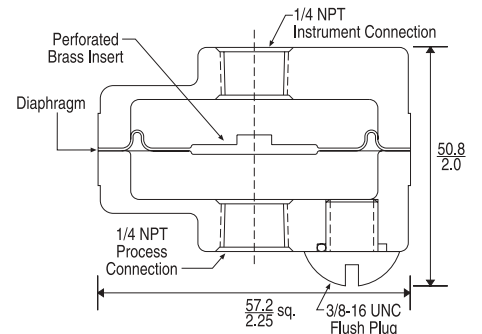
The Model B8498 Gauge Protector is designed for extremely high volume displacement. Ideally suited for gauges and instruments with operating pressures up to 200 psi and vacuum applications. Available in 1/4" threaded connections and chrome plated zinc construction. A 3/8" flush plug is standard in the process side housing.

FILLED AND CALIBRATED TO GAUGES ONLY.

12000					
UPPER ORDER CODES					
316SS					
1/4"	22				
1/2"	24				
PVC					
1/4"	52				
1/2"	54				
LOWER ORDER CODES					
316SS					
1/4"	22				
1/2"	24				
PVC					
1/4"	52				
1/2"	54				
DIAPHRAGM ORDER CODE					
Nitrile	3				
Fluorocarbon	4				
Neoprene	5				
Teflon	6				
EASY CLEAN OUT ORDER CODE					
None	0				
Clean Out	2				
FILL ORDER CODE					
No Fill	0				
Glycerine	G				
Silicone	S				
Syltherm	Y				



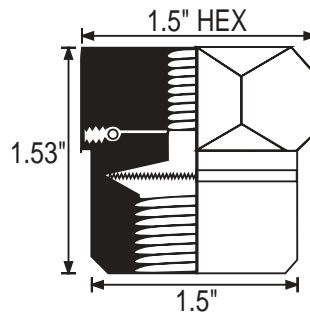
B8498			
ASSEMBLY ORDER CODES			
1/4"	22		
DIAPHRAGM ORDER CODE			
Nitrile	3		
Fluorocarbon	4		
Neoprene	5		
FILL ORDER CODE			
No Fill	0		
Glycerine	G		
Silicone	S		
Syltherm	Y		



Diaphragm Seals



13000					
UPPER ORDER CODES					
316SS	22				
1/4"					
1/2"					
LOWER ORDER CODES					
316SS	22				
1/4"					
1/2"	24				
Hastelloy					
1/4"	42				
1/2"	44				
ORDER DIAPHRAGM CODE					
316SS	1				
Hastelloy C	2				
ORDER FILL CODE					
No Fill	0				
Glycerine	G				
Silicone	S				
Syltherm	Y				

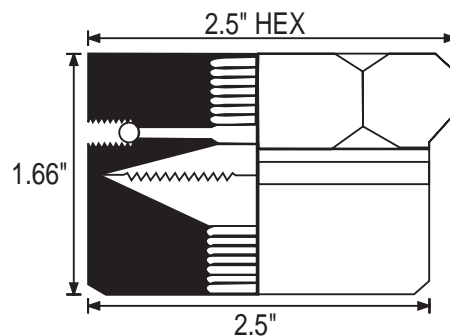


13000 DIAPHRAGM SEAL

MODEL 13000 MINI / ALL WELDED DIAPHRAGM SEAL

The Model 13000 Mini Welded Seal is designed for 2" to 3 1/2" bourdon tube gauges with a minimum pressure of 60 psi. The maximum operating pressure is 2000 psi at 100° F. Available in all 316 SS or Hastelloy C process housing and diaphragm. FILLED AND CALIBRATED TO GAUGES ONLY.

13040					
UPPER ORDER CODES					
316SS	22				
1/4"					
1/2"	24				
LOWER ORDER CODES					
316SS	22				
1/4"					
1/2"	24				
3/4"	26				
1"	28				
Hastelloy					
1/4"	42				
1/2"	44				
3/4"	46				
1"	48				
ORDER DIAPHRAGM CODE					
316SS	1				
Hastelloy C	2				
ORDER FLUSH CONNECTION CODE					
None	0				
1/4"	2				
ORDER FILL CODE					
No Fill	0				
Glycerine	G				
Silicone	S				
Syltherm	Y				



MODEL 13040 ALL WELDED DIAPHRAGM SEAL

The Model 13040 All Welded Seal is designed for 2" to 4 1/2" bourdon tube gauges with pressure ranges from vacuum to 1000 psi. Available in all 316SS or Hastelloy C process housing and diaphragm, with threaded connections. Optional flushing connections also available.

FILLED AND CALIBRATED TO GAUGES ONLY.

Diaphragm Seals



14000 DIAPHRAGM SEAL

MODEL 14000 REMOVABLE DIAPHRAGM SEAL

The Model 14000 Diaphragm Seal is a clamped metal design featuring interlocking construction inside of the bolt circle for perfect alignment. The upper and lower housings clamp the diaphragm in place and allow for field servicing. The 14000 is available in threaded connections for pressures vacuum to 2500 psi. Fill/bleed port screw in the upper is standard and an optional flush connection is available.

FILLED AND CALIBRATED TO GAUGES ONLY.

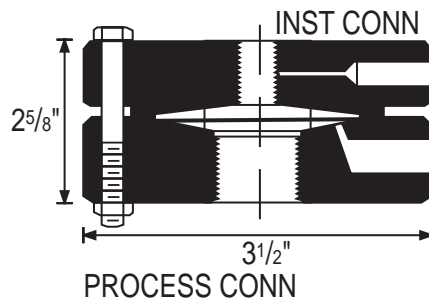
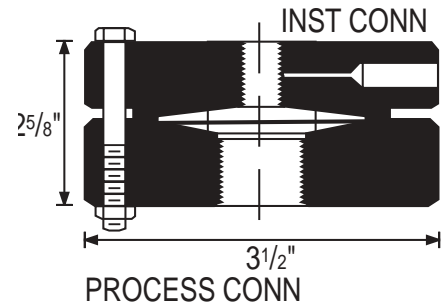


MODEL 14040 WELDED DIAPHRAGM SEAL

The Model 14040 Welded Diaphragm Seal is a welded diaphragm-to-upper design allowing the upper housing to be removed with the instrument in place without losing fill. The same interlocking feature as the 14000 is used to assure alignment of the upper to the lower. Available in threaded connections for pressures vacuum to 2500 psi. Fill/bleed port screw in the upper is standard and an optional flush connection is available.

FILLED AND CALIBRATED TO GAUGES ONLY

14000	
UPPER ORDER CODES	
Steel	
1/4"	12
1/2"	14
316SS	
1/4"	22
1/2"	24
LOWER ORDER CODES	
Steel	
1/4"	12
1/2"	14
3/4"	16
1"	18
316SS	
1/4"	22
1/2"	24
3/4"	26
1"	28
DIAPHRAGM ORDER CODE	
316SS	1
Hastelloy C	2
Tantalum	3
FLUSH CONNECTION ORDER CODE	
None	0
1/4"	2
BOLTS & NUTS ORDER CODE	
Steel	0
Stainless	1
FILL ORDER CODE	
No Fill	0
Glycerine	G
Silicone	S
Syltherm	Y



14040	
UPPER ORDER CODES	
Steel	
1/4"	12
1/2"	14
316SS	
1/4"	22
1/2"	24
LOWER ORDER CODES	
Steel	
1/4"	12
1/2"	14
3/4"	16
1"	18
316SS	
1/4"	22
1/2"	24
3/4"	26
1"	28
DIAPHRAGM ORDER CODE	
316SS	1
Hastelloy C	2
Tantalum	3
FLUSH CONNECTION ORDER CODE	
None	0
1/4"	2
BOLTS & NUTS ORDER CODE	
Steel	0
Stainless	1
FILL ORDER CODE	
No Fill	0
Glycerine	G
Silicone	S
Syltherm	Y